



Sliding door systems made from stainless steel

Sliding door systems made from stainless steel

Sliding doors made from glass and wood are fascinating and lend rooms a special flair.

Visible technology and high-grade craftsmanship set new accents in room design. All products are characterised by their solid construction, easy use and very quiet movement. There are 5 sliding door systems for glass and wood doors available to satisfy your designing needs: Flatec I, Flatec II, Unotec, Duetec and Tritec.

You can choose prefabricated complete sets or individually plan your sliding door system. We can supply a large selection of fitting door handles and grip shells. Please refer to www.abp-beyerle.de for extensive information.



Contents:

Sliding door fittings

Sets for glass doors Flatec I, Unotec Home, Unotec Objekt, Duetec, Tritec	4 – 8
Sets for wooden doors Flatec I, Flatec II, Unotec Home, Tritec	9 – 12
Planning guide (extract)	13 -15
System components	16 – 21
Guide rails	16
Wall fixtures on masonry	16 – 17
Mounting on glass	18
Trolleys	19 - 20
Accessories	21 - 23
Door stoppers , Bottom guides	21
Door handles, Grip shells	22 - 23

Key:

- i** Important informations
- !** Processing instructions
- ?** References to additional products

EF All stainless steel products are come standard with a finely ground (brushed) stainless steel surface.

All dimensions in inches

(all specification dimensions have been converted from mm to inches with a tolerance of +/- 1/16" of an inch)

The information in this brochure is given in good faith, however without engagement.
Design subject to alterations.
The illustrations and photos in this brochure do not reflect the scope of supply!

Sliding-door fitting sets for glass doors



Flatec I glass

Complete-sets, standard model $d = 5/6'' - 1/2''$
height-adjustable approx. $1/4''$, consisting of:

- 1 Guide rail, solid stainless steel, $\varnothing 1''$, USO200EF
length: see table
- 3 - 4 Wall attachments, stainless steel, USU210EF
- 2 Trolleys Flatec I glass, stainless steel, USO120EF
- 2 Door stopper, stainless steel, USO251EF
- 1 Bottom guide, stainless steel, USO260EF
- 1 Special tool for decorative screws, Z923
- 1 Installation instructions

Set numbers	Guide rail length inch	Passage width inch
USU44-1800EF	70 7/8"	29 1/2" - 35 7/16"
USU44-2100EF	82 11/16"	35 13/16" - 39 3/8"
USU44-2300EF	90 9/16"	39 3/4" - 44 1/16"
USU44-2540EF	100"	44 1/2" - 49 3/16"

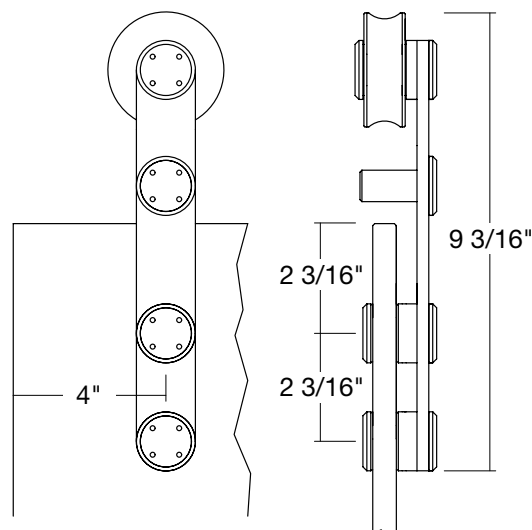
! Glass drill holes $\varnothing 1/2''$

The maximum door weight is 100 kg (220 lbs)

For baseboards and trimmings, order spacer, (stainless steel, USO226-19EF) separately for each wall attachment, Cf. planning guide or page 13

You can find planning guides with drill hole sizes and installation instructions at www.abp-beyerle.de

? For special lengths for guide rails, other individual componets and accessories, refer to page 16



Unotec Home glass

Complete-sets, standard model $d = 5/6'' - 1/2''$
consisting of:

- 1 Guide rail, solid stainless steel, $\varnothing 1''$, USO200EF
length: see table
- 3 - 4 Wall attachments, stainless steel, USU210EF
- 2 Trolleys Unotec Home glass, stainless steel, USH100EF
- 2 Door stopper, stainless steel, USO250EF
- 1 Bottom guide, stainless steel, USO260EF
- 1 Special tool for decorative screws, Z923
- 1 Installation instructions

Set numbers	Guide rail length inch	Passage width inch
USU34-1800EF	70 7/8"	29 1/2" - 35 7/16"
USU34-2100EF	82 11/16"	35 13/16" - 39 3/8"
USU34-2300EF	90 9/16"	39 3/4" - 44 1/16"
USU34-2540EF	100"	44 1/2" - 49 3/16"

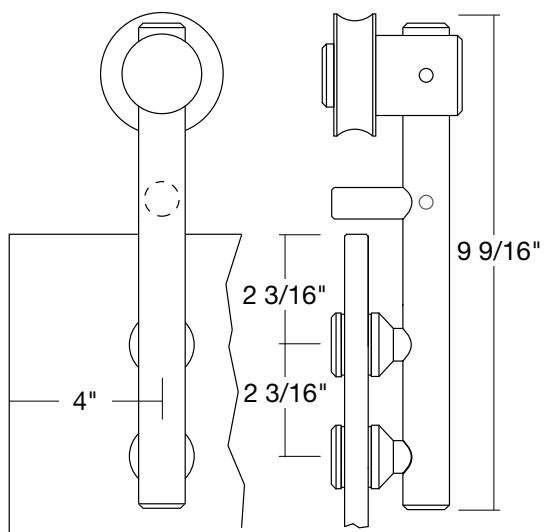
! Glass drill holes $\varnothing 1/2''$

The maximum door weight is 100 kg (220 lbs)

For baseboards and trimmings, order spacer, (stainless steel, USO226-19EF) separately for each wall attachment , Cf. planning guide or page 13

You can find planning guides with drill hole sizes and installation instructions at www.abp-beyerle.de

? For special lengths for guide rails, other individual componets and accessories, refer to page 16



Sliding-door fitting sets for glass doors



Unotec Objekt glass

Complete-sets, standard model $d = 5/6'' - 1/2''$
height-adjustable approx. $9/16''$, consisting of:

- 1 Guide rail, solid stainless steel, $\varnothing 1''$, USU200EF
length: see table
- 3 - 4 Wall attachments, stainless steel, USU210EF
- 2 Trolleys Unotec Objekt glass, stainless steel, USO100EF
- 2 Door stopper, stainless steel, USO251EF
- 1 Bottom guide, stainless steel, USO260EF
- 1 Special tool for decorative screws, Z923
- 1 Installation instructions

Set numbers	Guide rail length inch	Passage width inch
USU24-1800EF	70 7/8"	29 1/2" - 35 7/16"
USU24-2100EF	82 11/16"	35 13/16" - 39 3/8"
USU24-2300EF	90 9/16"	39 3/4" - 44 1/16"
USU24-2540EF	100"	44 1/2" - 49 3/16"

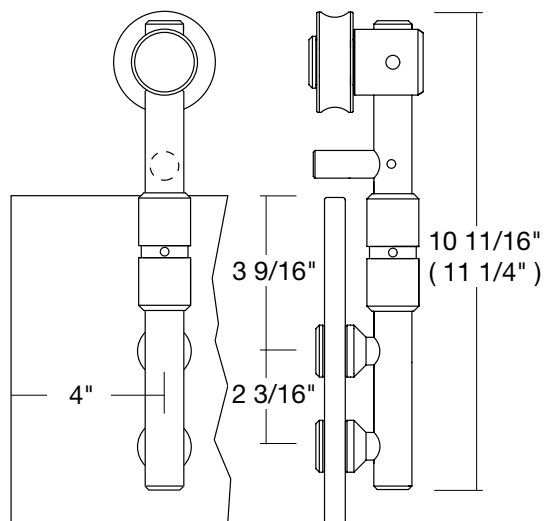
! Glass drill holes $\varnothing 1/2''$

The maximum door weight is 100 kg (220 lbs)

For baseboards and trimmings, order spacer, (stainless steel, USO226-19EF) separately for each wall attachment, Cf. planning guide or page 13

You can find planning guides with drill hole sizes and installation instructions at www.abp-beyerle.de

? For special lengths for guide rails, other individual componets and accessories, refer to page 16



Duetec glass

Complete-sets, standard model $d = 5/6'' - 3/8''$, height-adjustable approx. $1/4''$, consisting of:

- 1 Guide rail, solid stainless steel, $\varnothing 1''$, USO200EF length: see table
- 3 - 4 Wall attachments, stainless steel, USU210EF
- 2 Trolleys Duetec glass, stainless steel, USO110EF
- 2 Door stopper, stainless steel, USO251EF
- 1 Bottom guide, stainless steel, USO260EF
- 1 Special tool for decorative screws, Z923
- 1 Installation instructions

Set numbers	Guide rail length inch	Passage width inch
USU74-1800EF	70 7/8"	29 1/2" - 35 7/16"
USU74-2100EF	82 11/16"	35 13/16" - 39 3/8"
USU74-2300EF	90 9/16"	39 3/4" - 44 1/16"
USU74-2540EF	100"	44 1/2" - 49 3/16"

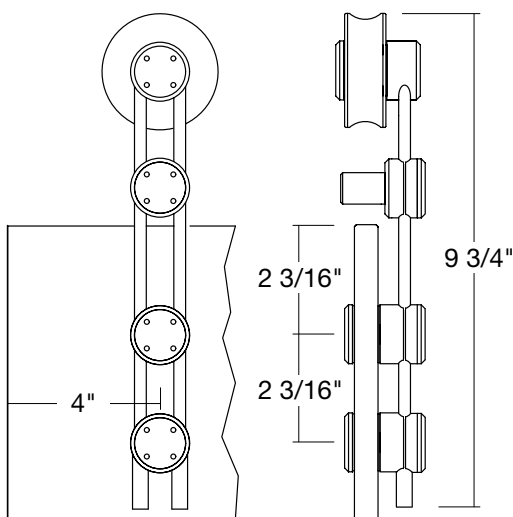
! Glass drill holes $\varnothing 1/2''$

The maximum door weight is **60 kg (132 lbs)**

For baseboards and trimmings, order spacer, (stainless steel, USO226-19EF) separately for each wall attachment, Cf. planning guide or page 13

You can find planning guides with drill hole sizes and installation instructions at www.abp-beyerle.de

? For special lengths for guide rails, other individual componets and accessories, refer to page 16



Sliding-door fitting sets for glass doors



Tritec glass

Complete-sets, standard model $d = 5/6'' - 1/2''$
height-adjustable approx. $1/4''$, consisting of:

- 1 Guide rail, solid stainless steel, $\varnothing 1''$, USU200EF
length: see table
- 3 - 4 Wall attachments, stainless steel, USU210EF
- 2 Trolleys Tritec glass, stainless steel, USO122EF
- 2 Door stopper, stainless steel, USO251EF
- 1 Bottom guide, stainless steel, USO260EF
- 1 Special tool for decorative screws, Z923
- 1 Installation instructions

Set numbers	Guide rail length inch	Passage width inch
USU64-1800EF	70 7/8"	29 1/2" - 35 7/16"
USU64-2100EF	82 11/16"	35 13/16" - 39 3/8"
USU64-2300EF	90 9/16"	39 3/4" - 44 1/16"
USU64-2540EF	100"	44 1/2" - 49 3/16"

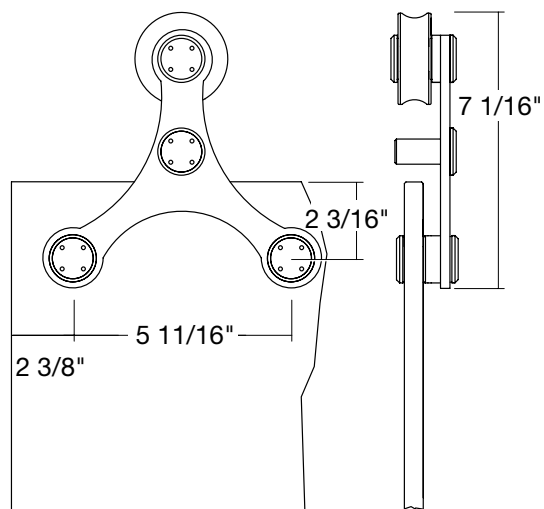
! Glass drill holes $\varnothing 1/2''$

The maximum door weight is 100 kg (220 lbs)

For baseboards and trimmings, order spacer, (stainless steel, USO226-19EF) separately for each wall attachment, Cf. planning guide or page 13

You can find planning guides with drill hole sizes and installation instructions at www.abp-beyerle.de

? For special lengths for guide rails, other individual componets and accessories, refer to page 16



Flatec I wood

Complete-sets, standard model $d \leq 1 \frac{3}{4}$ ", height-adjustable approx. $\frac{1}{4}$ ", consisting of:

- 1 Guide rail, solid stainless steel, $\varnothing 1$ ", USO200EF length: see table
- 3 - 4 Wall attachments, stainless steel, USU215EF
- 2 Trolleys Flatec I wood, stainless steel, USO121EF
- 2 Door stopper, stainless steel, USO251EF
- 1 Bottom guide, plastic, USH268K
- 1 Special tool for decorative screws, Z923
- 1 Installation instructions

Set numbers	Guide rail length inch	Passage width inch
USU45-1800EF	70 $\frac{7}{8}$ "	29 $\frac{1}{2}$ " - 35 $\frac{7}{16}$ "
USU45-2100EF	82 $\frac{11}{16}$ "	35 $\frac{13}{16}$ " - 39 $\frac{3}{8}$ "
USU45-2300EF	90 $\frac{9}{16}$ "	39 $\frac{3}{4}$ " - 44 $\frac{1}{16}$ "
USU45-2540EF	100"	44 $\frac{1}{2}$ " - 49 $\frac{3}{16}$ "

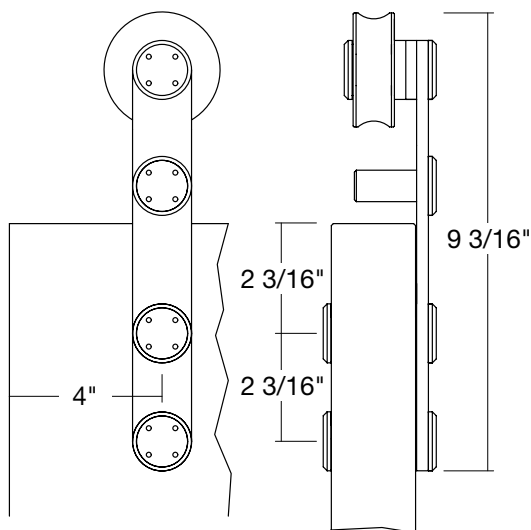
! Wood drill holes $\varnothing \frac{3}{8}$ "

The maximum door weight is 100 kg (220 lbs)

For baseboards and trimmings, order spacer, (stainless steel, USO226-33EF) separately for each wall attachment, Cf. planning guide or page 13

You can find planning guides with drill hole sizes and installation instructions at www.abp-beyerle.de

? For special lengths for guide rails, other individual componets and accessories, refer to page 16



Sliding-door fitting sets for wooden doors



Flatec II wood

Complete-sets, standard model $d \leq 1 \frac{3}{4}$ ", consisting of:

- 1 Guide rail, solid stainless steel, $\emptyset 1"$, USO200EF
length: see table
- 3 - 4 Wall attachments, stainless steel, USU215EF
- 2 Trolleys Flatec II wood, stainless steel, USO130EF
- 2 Door stopper, stainless steel, USO251EF
- 1 Bottom guide, plastic, USH268K
- 1 Special tool for decorative screws, Z923
- 1 Installation instructions

Set numbers	Guide rail length inch	Passage width inch
USU55-1800EF	70 $\frac{7}{8}$ "	29 $\frac{1}{2}$ " - 35 $\frac{7}{16}$ "
USU55-2100EF	82 $\frac{11}{16}$ "	35 $\frac{13}{16}$ " - 39 $\frac{3}{8}$ "
USU55-2300EF	90 $\frac{9}{16}$ "	39 $\frac{3}{4}$ " - 44 $\frac{1}{16}$ "
USU55-2540EF	100"	44 $\frac{1}{2}$ " - 49 $\frac{3}{16}$ "

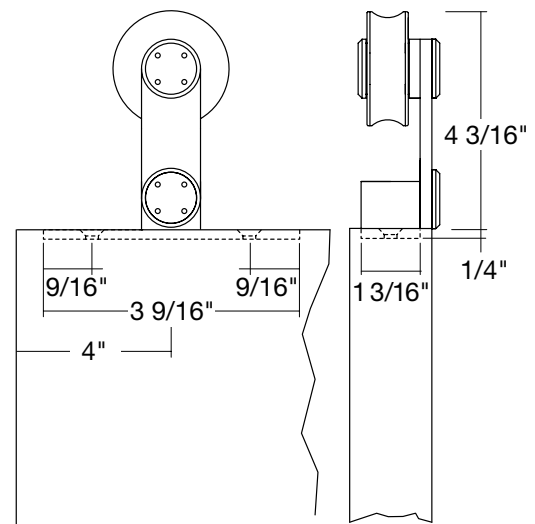
! Wood drill holes $\emptyset \frac{3}{8}$ "

The maximum door weight is 100 kg (220 lbs)

For baseboards and trimmings, order spacer, (stainless steel, USO226-33EF) separately for each wall attachment, Cf. planning guide or page 13

You can find planning guides with drill hole sizes and installation instructions at www.abp-beyerle.de

? For special lengths for guide rails, other individual componets and accessories, refer to page 16



Unotec Home wood

Complete-sets, standard model $d \leq 1\ 3/4"$,
consisting of:

- 1 Guide rail, solid stainless steel, $\varnothing 1"$, USO200EF
length: see table
- 3 - 4 Wall attachments, stainless steel, USU215EF
- 2 Trolleys Unotec Home wood, stainless steel, USH105EF
- 2 Door stopper, stainless steel, USO251EF
- 1 Bottom guide, plastic, USH268K
- 1 Special tool for decorative screws, Z923
- 1 Installation instructions

Set numbers	Guide rail length inch	Passage width inch
USU35-1800EF	70 7/8"	29 1/2" - 35 7/16"
USU35-2100EF	82 11/16"	35 13/16" - 39 3/8"
USU35-2300EF	90 9/16"	39 3/4" - 44 1/16"
USU35-2540EF	100"	44 1/2" - 49 3/16"

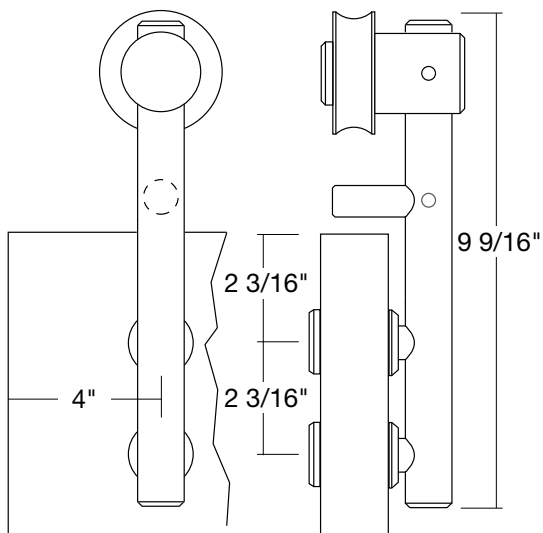
! Wood drill holes $\varnothing 3/8"$

The maximum door weight is 100 kg (220 lbs)

For baseboards and trimmings, order spacer, (stainless steel, USO226-33EF) separately for each wall attachment, Cf. planning guide or page 13

You can find planning guides with drill hole sizes and installation instructions at www.abp-beyerle.de

? For special lengths for guide rails, other individual componets and accessories, refer to page 16



Sliding-door fitting sets for wooden doors



Tritec wood

Complete-sets, standard model $d \leq 1 \frac{3}{4}$ ", height-adjustable approx. $\frac{1}{4}$ ", consisting of:

- 1 Guide rail, solid stainless steel, $\varnothing 1$ ", USO200EF length: see table
- 3 - 4 Wall attachments, stainless steel, USU215EF
- 2 Trolleys Tritec wood, stainless steel, USO123EF
- 2 Door stopper, stainless steel, USO251EF
- 1 Bottom guide, stainless steel, USH268K
- 1 Special tool for decorative screws, Z923
- 1 Installation instructions

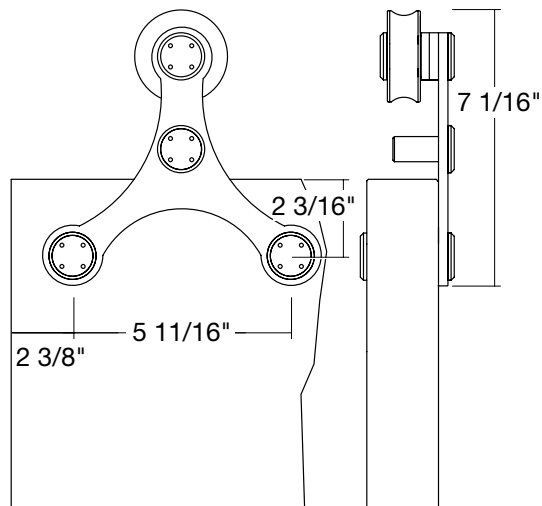
Set numbers	Guide rail length inch	Passage width inch
USU65-1800EF	70 $\frac{7}{8}$ "	29 $\frac{1}{2}$ " - 35 $\frac{7}{16}$ "
USU65-2100EF	82 $\frac{11}{16}$ "	35 $\frac{13}{16}$ " - 39 $\frac{3}{8}$ "
USU65-2300EF	90 $\frac{9}{16}$ "	39 $\frac{3}{4}$ " - 44 $\frac{1}{16}$ "
USU65-2540EF	100"	44 $\frac{1}{2}$ " - 49 $\frac{3}{16}$ "

! Wood drill holes $\varnothing \frac{3}{8}$ "

The maximum door weight is 100 kg (220 lbs)
For baseboards and trimmings, order spacer, (stainless steel, USO226-33EF) separately for each wall attachment, Cf. planning guide or page 13

You can find planning guides with drill hole sizes and installation instructions at www.abp-beyerle.de

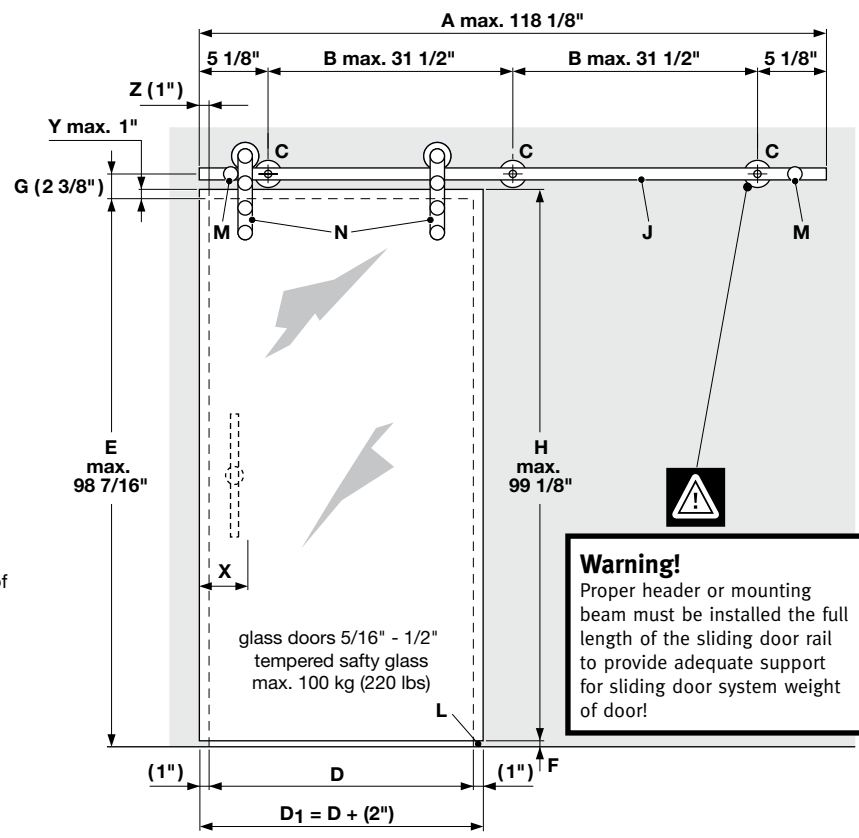
? For special lengths for guide rails, other individual components and accessories, refer to page 16



i We have complete sets as well as single system components available for you to make your individual designs and plans using our sliding door systems. Please go to www.beyerle-us.com to find the planning and assembly instructions for all systems. On the following pages, please have a look at some extracts presented as examples.

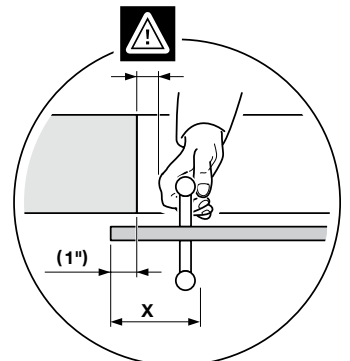
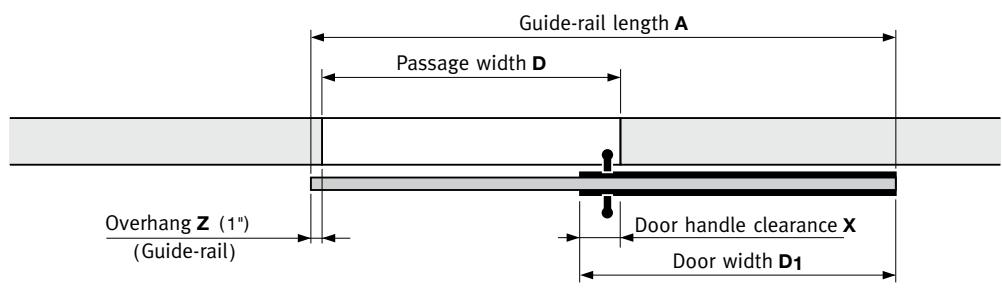
Flatec I

inches			Manufacturing dimensions (special model)							kg	inches		
A	B	C	D	D1	E max. 98 7/16"	F 1/4"-3/8"	G	H max. 99 1/8" (H = E - F + Y)	Load-bearing capacity of the guide rail J	L	M	N	
							(2 3/8")			1	2	2	



- A = Guide-rail length
 - B = Drill hole clearance
 - C = Wall fixture
 - D = Passage width
 - D1 = Door width
 - E = Passage height
 - F = Door - floor clearance
 - G = Fastening clearance
 - H = Door height
 - J = Load-bearing capacity of the guide rail
 - L = Bottom guide
 - M = Door stopper
 - N = Trolley
 - X = Door knob clearance
 - Y = Door height overhang
 - Z = Guide-rail overhang
- () = recommended!

Calculation for guide-rail length A for **1 door**

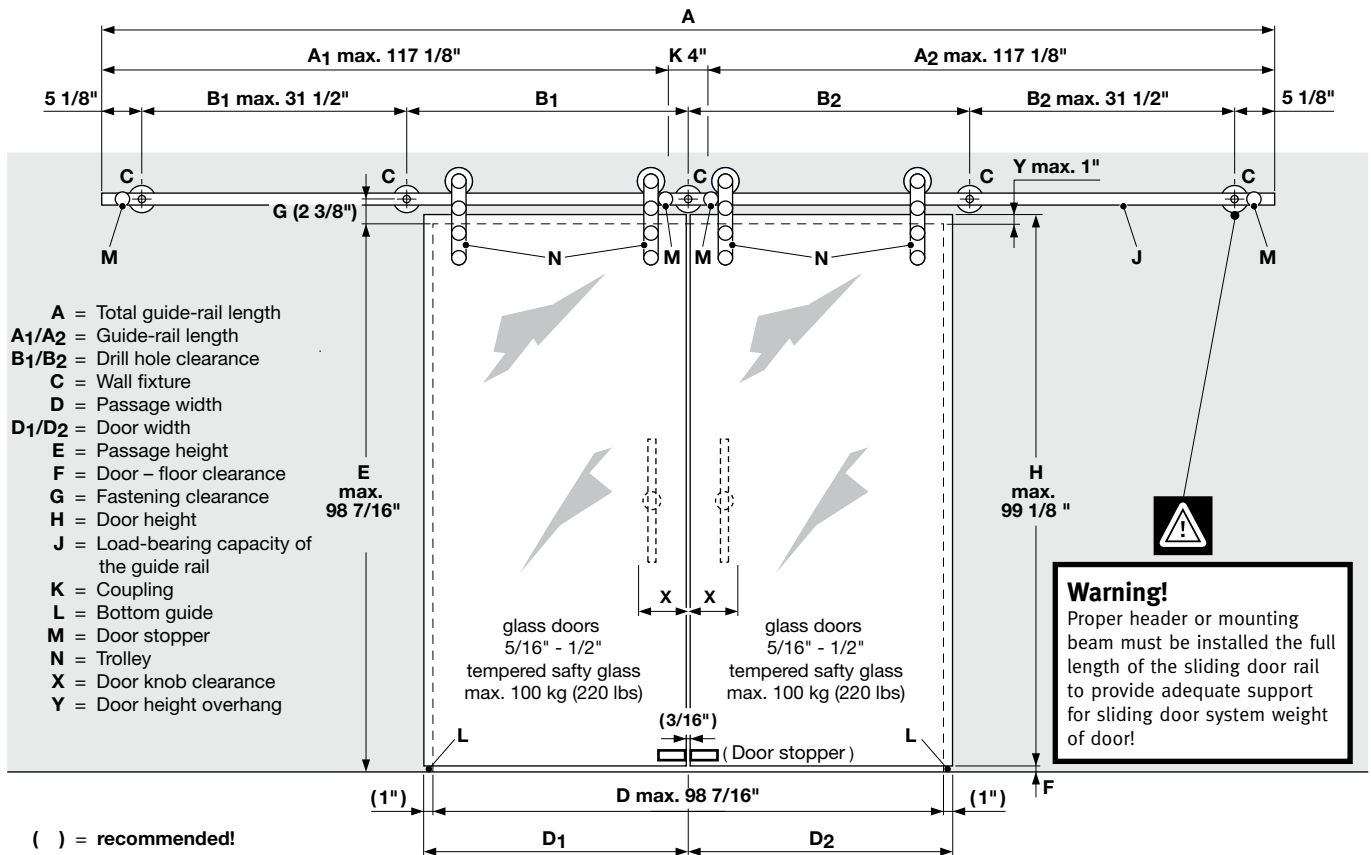


Overhang Z + Passage width D + Door width D1 - Door handle clearance X = Guide-rail length A
Make door handle clearance so that fingers do not get pinched when the door is manipulated!

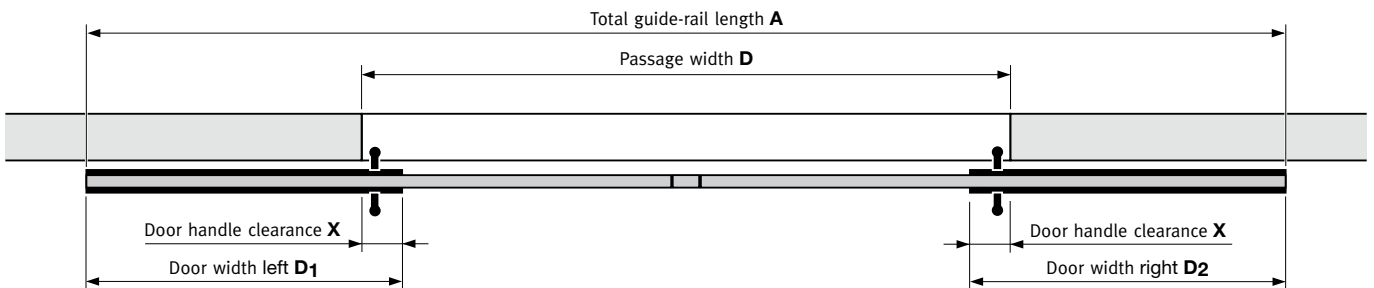
Sliding-door fitting Planning guide (extract)

Flatec I

Manufacturing dimensions (special model)																	
inches			Each		inches							H	kg	Each			
A	B1	B2	C	D	D1	D2	E	F	G	H	Load-bearing capacity of the guide rail J	K	L	M	N		
							max. 98 7/16"	1/4" - 3/8"	(2 3/8")	max. 99 1/8" (H = E - F + Y)		1	2	4	4		



Calculation for total guide-rail length A for 2 doors

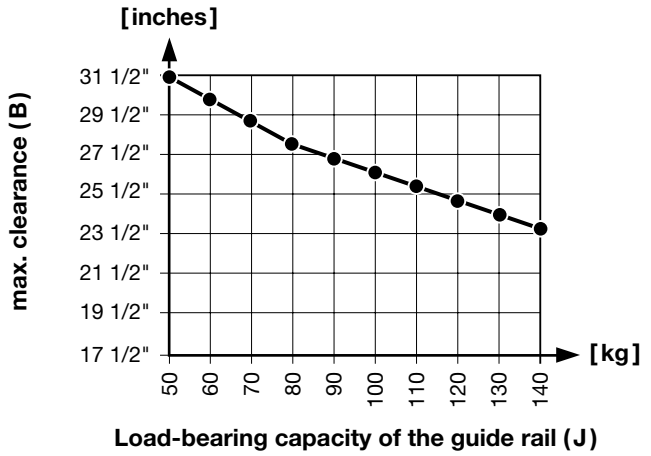


Door width D1 – Door handle clearance X + Passage width D + Door width D2 – Door handle clearance X = Total guide-rail length A



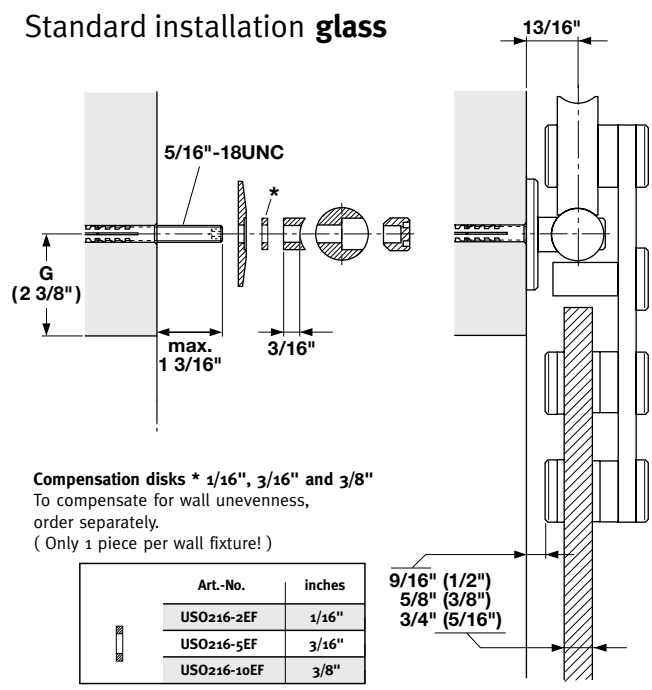
Make door handle clearance so that fingers do not get pinched when the door is manipulated! See page 13.

Diagram for calculating clearance (B) in wall fixture (C) for guide rail (A)

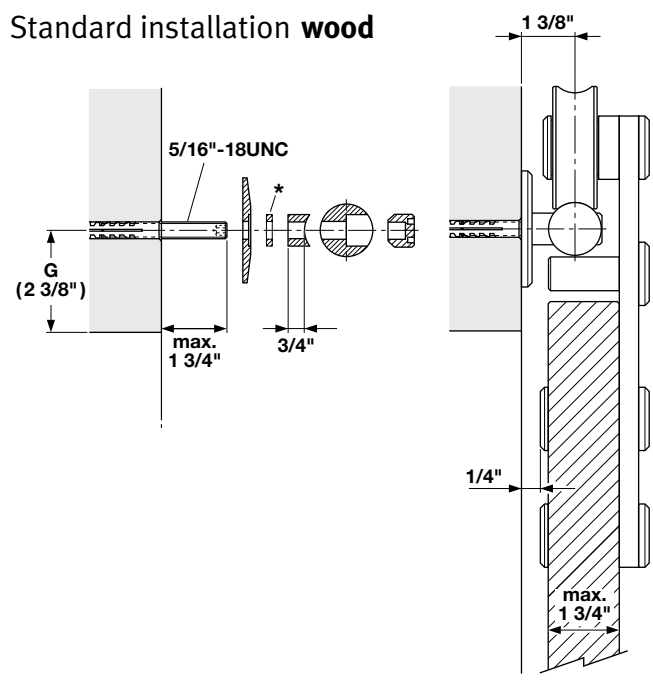


Flatec I

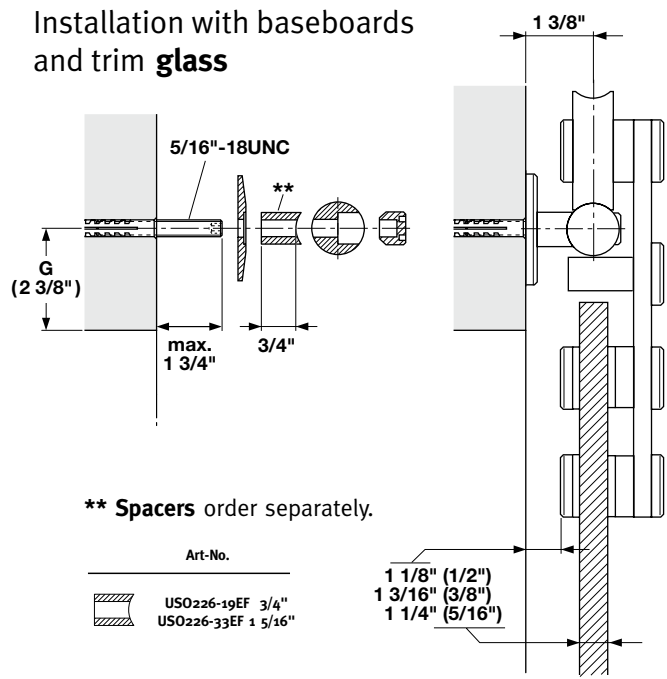
Standard installation glass



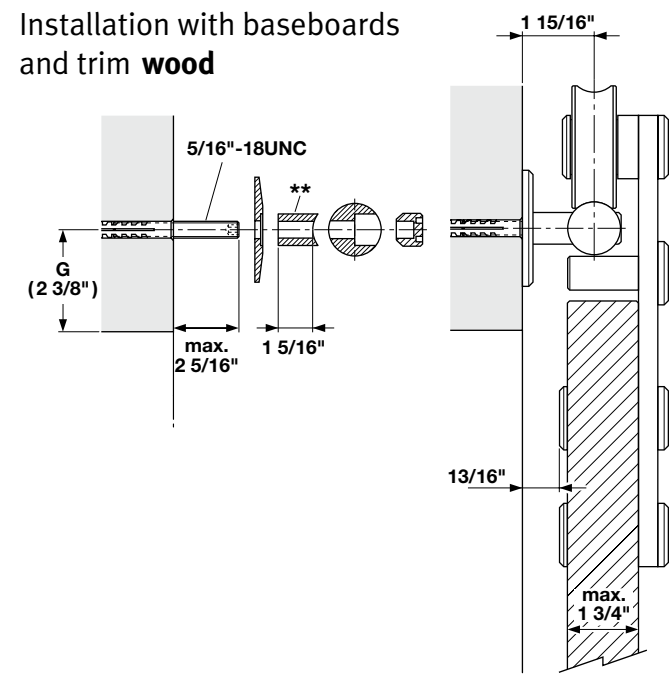
Standard installation wood



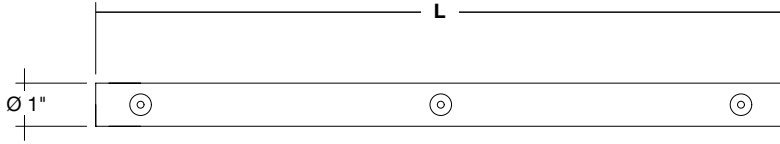
Installation with baseboards and trim glass



Installation with baseboards and trim wood

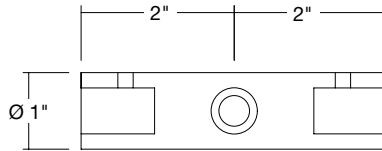


Sliding-door fitting system components

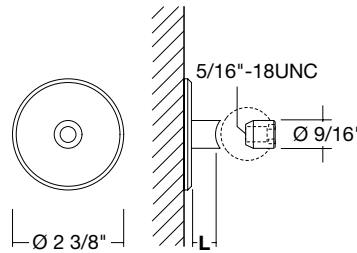


Guide rail, Wall fixtures

Art. No. USO200EF
Guide rail
 Stainless steel, $\varnothing 1"$, no attachment points, please state length!
 $\leq 118 \frac{1}{8}"$ as one piece,
 $\geq 118 \frac{1}{8}"$ two-parts with coupling

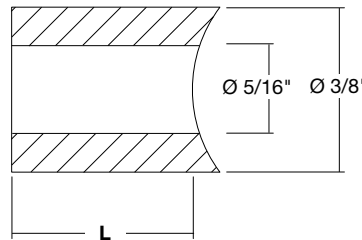


Art. No. USO205EF
Coupling
 For guide rail USO200EF, stainless steel, $\varnothing 1"$ mm, $L = 3 \frac{5}{16}"$



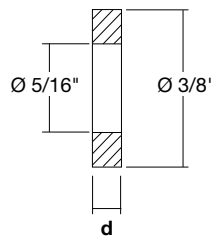
Art. No. USU210EF
Wall fixtures (for 5/16" - 18 UNC)
 For glass doors on masonry without trim and baseboard, stainless steel, distance $L = \frac{3}{16}"$, disk $\varnothing 2 \frac{3}{8}"$, without screw

USU215EF For wood doors on masonry, without trim and baseboard, stainless steel, distance $L = \frac{3}{4}"$, disk $\varnothing 2 \frac{3}{8}"$, without screw



Art. No. USO226-19EF
Spacer
 For glass doors with trim and baseboard, stainless steel, distance $L = \frac{3}{4}"$

USO226-33EF For wood doors with trim and baseboard, stainless steel, distance $L = 1 \frac{5}{16}"$

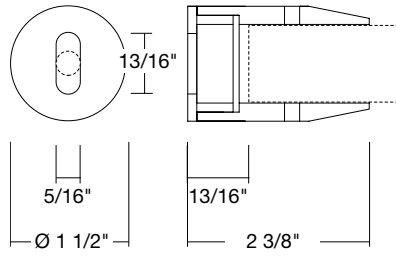


Art. No. USO216-2EF Thickness $d = \frac{1}{16}"$
 USO216-5EF Thickness $d = \frac{3}{16}"$
 USO216-10EF Thickness $d = \frac{3}{8}"$
Compensation disks
 stainless steel, $\varnothing \frac{3}{8}"$, to compensate for wall unevenness, only one piece per wall mount!

Art. No.
USO240EF

Wall joint, front face

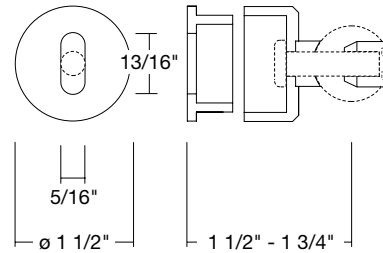
For guide rail USO200EF, stainless steel, attachment point can be adjustable using elongated hole



Art. No.
USO242EF

Wall fixture, adjustable

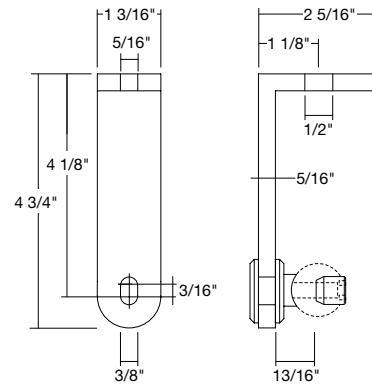
Stainless steel, wall clearance can be adjusted approx. 1/4", attachment point using elongated hole



Art. No.
USO248EF

Ceiling fixture

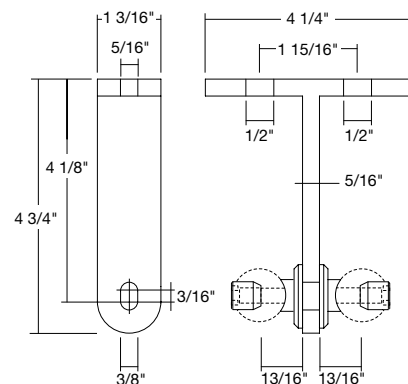
For single guide rail USO200EF, stainless steel, attachment point can be adjustable using elongated hole



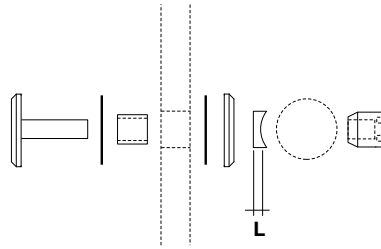
Art. No.
USO249EF

Ceiling fixture

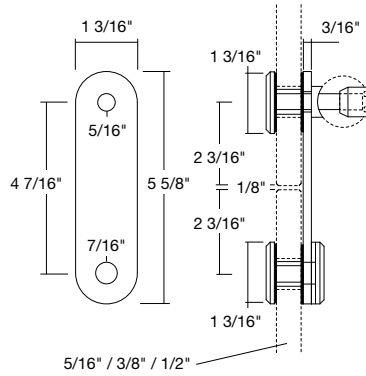
For double guide rail USO200EF, stainless steel, attachment point can be adjustable using elongated hole



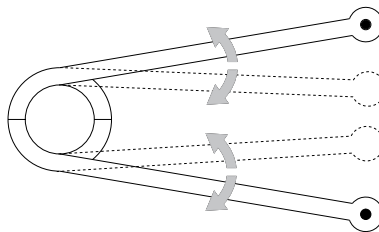
Mounting on glass



- Art. No.** **Glass fastening set Type**
 USO230-EF-G For glass doors, distance $L = 3/16''$
 USO230-EF-H For wood doors, distance $L = 3/4''$
 stainless steel, $\varnothing 1 3/16''$,
 mounting the guide rail
 on glass surfaces with
 glass protection set
 ! Glass drill holes $\varnothing 9/16''$



- Art. No.** **Glass joint plate**
 for continuous skylight of glasses
 USO245-8EF For glass surfaces $d = 5/16''$
 USO245-10EF For glass surfaces $d = 3/8''$
 USO245-12EF For glass surfaces $d = 1/2''$
 stainless steel, $\varnothing 1 3/16''$, set for
 mounting glass surfaces,
 Glass drill holes $\varnothing 9/16''$

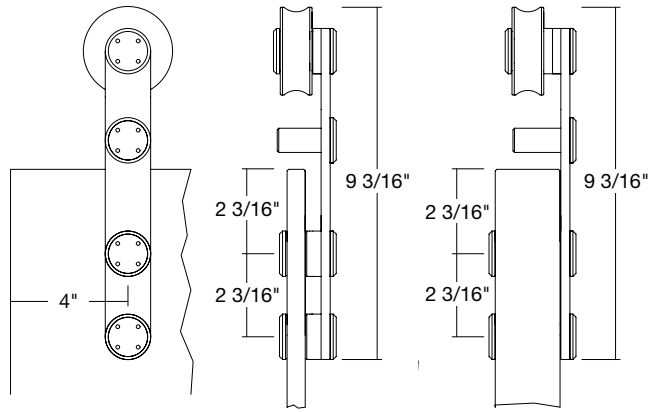


- Art. No.** **Special tool**
 Z923 For decorative screws (adjustable)

Trolleys

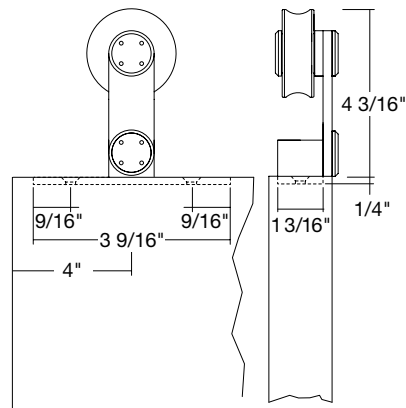
Art. No.
USO120EF
USO121EF

Trolley, Flatec I
For glass doors, $d = 5/16'' - 1/2''$
For wood doors, $d \leq 1 3/4''$
stainless steel, height-adjustable
approx. $1/4''$



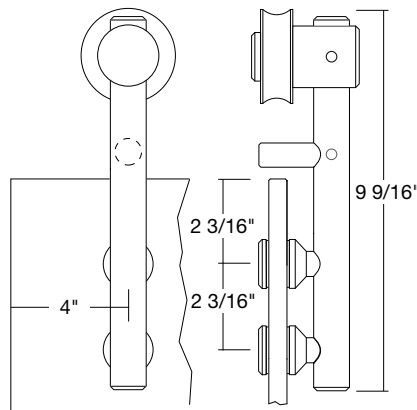
Art. No.
USO130EF

Trolley, Flatec II
For wood doors, $d \leq 1 3/4''$
stainless steel, without height
adjustment



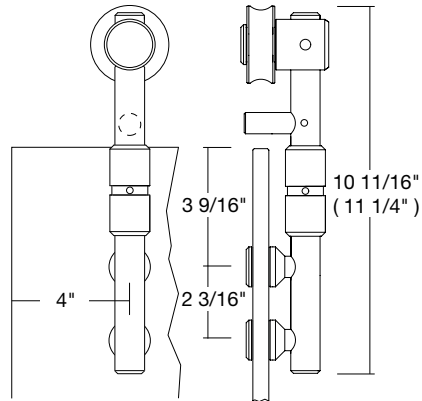
Art. No.
USH100EF
USH105EF

Trolley, Unotec Home
for glass doors, $d = 5/16'' - 1/2''$
for wood doors, $d \leq 1 3/4''$
stainless steel, without height
adjustment



! Glass drill holes $\varnothing 1/2''$
Wood drill holes $\varnothing 3/8''$

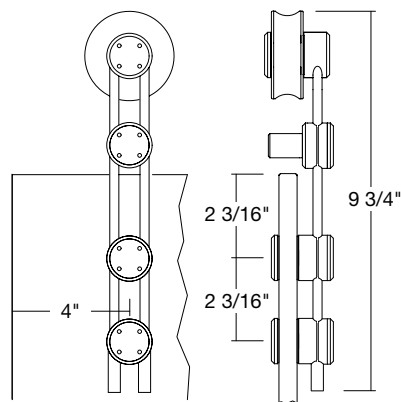
Trolleys



Art. No.
USO100EF

Trolley, Unotec Object

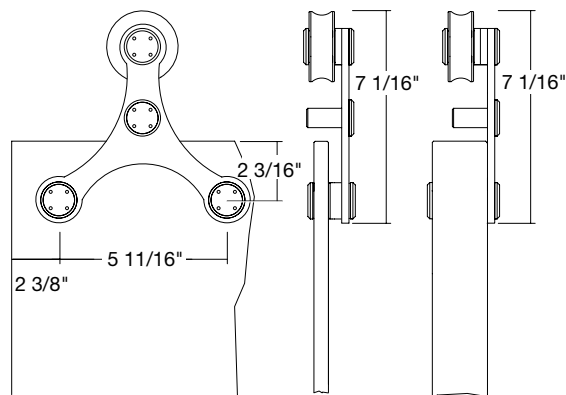
For glass doors, $d = 5/16'' - 3/8''$
stainless steel, height-adjustable
approx. $9/16''$



Art. No.
USO110EF

Trolley, Duetec

For glass doors, $d = 5/16'' - 3/8''$
stainless steel, height-adjustable
approx. $1/4''$



Art. No.
USO122EF
USO123EF

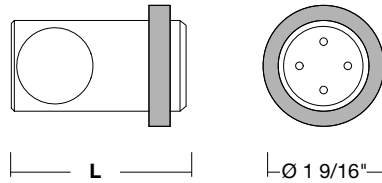
Trolley, Tritec

For glass doors, $5/16'' - 1/2''$
For wood doors, $d \leq 1 3/4''$
stainless steel, height-adjustable
approx. $1/4''$

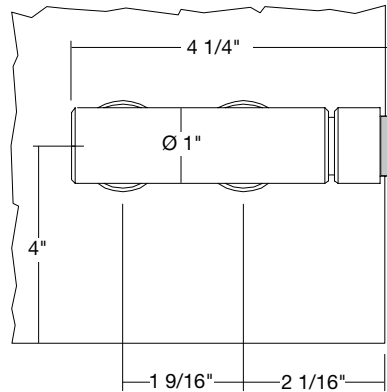
! Glass drill holes $\varnothing 1/2''$
Wood drill holes $\varnothing 3/8''$

Accessories

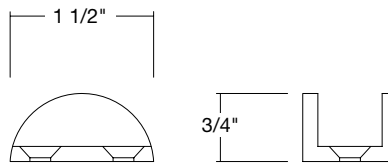
Art. No. **Door stopper**
 USO250EF For Unotec Home/Object,
 L = 2 1/4"
 USO251EF For Flatec, Duetec, Tritec,
 L = 1 3/4"
 stainless steel, Ø 1 3/16"



Art. No. **Door stopper set**
 USO255EF Both sides for glass doors
 stainless steel, Ø 1"
 ! Glass drill holes Ø 1/2"



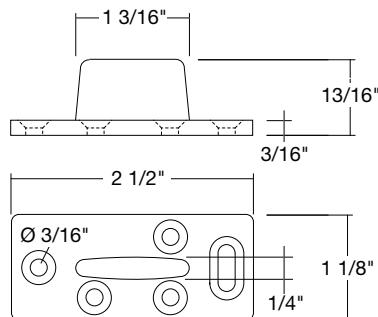
Art. No. **Bottom guide**
 USO260EF For door leaf, d = 5/16" - 1/2"
 stainless steel with felt insert



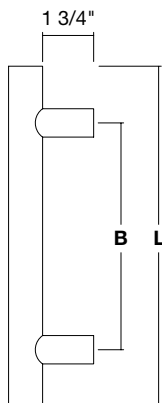
Art. No. **Bottom guide**
 USH260K For door leaf, d = 5/16" - 3/8"
 plastic with felt insert



Art. No. **Bottom guide**
 USH268K For wood doors, d ≤ 1 3/4"
 plastic, for groove 5/16" x 11/16"



To round off your individual designs and plans with our sliding door systems, we provide you with a comprehensive range of door handles and grip shells. You can perfectly complement all glass and wood sliding door systems with the stainless steel handles, shown here as an example. Using various attachment sets, you can mount the handles visibly as well as invisibly, both as single handles and in handle pairs. All door handles are manufactured in finely ground stainless steel. Please ask us about special lengths for your objects; polished stainless steel surfaces are also available. Please refer to www.abp-beyerle.de and our master catalogue for additional products and more information.



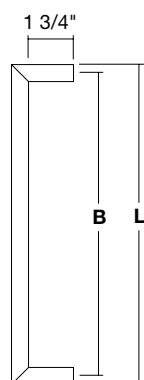
Door handle Impero ø 1"

Art. No. single handle	Art. No. handle set	L inches	B inches
Sl300-25EF	Sl300-25EF-B	11 13/16"	8 1/4"
Sl400-25EF	Sl400-25EF-B	15 3/4"	11 13/16"
Sl500-25EF	Sl500-25EF-B	19 11/16"	13 3/4"
Sl600-25EF	Sl600-25EF-B	23 5/8"	15 3/4"
Sl900-25EF	Sl900-25EF-B	35 7/16"	27 9/16"
Sl1200-25EF	Sl1200-25EF-B	47 1/4"	35 7/16"

stainless steel

! Glass drill holes ø 9/16"
Wood drill holes ø 3/8"

i Please send us information about the way of mounting and the thickness of door leaf and type of material.



Door handle Beluga ø 3/16"

Art. No. single handle	Art. No. handle set	L inches	B inches
SG300-20EF	SG300-20EF-B	11 13/16"	11"
SG400-20EF	SG400-20EF-B	15 3/4"	15"
SG500-20EF	SG500-20EF-B	19 11/16"	18 7/8"
SG600-20EF	SG600-20EF-B	23 5/8"	22 13/16"
SG900-20EF	SG900-20EF-B	35 7/16"	34 5/8"
SG1200-20EF	SG1200-20EF-B	47 1/4"	46 7/16"

stainless steel

! Glass drill holes ø 1/2"
Wood drill holes ø 3/8"

i Please send us information about the way of mounting and the thickness of door leaf and type of material.

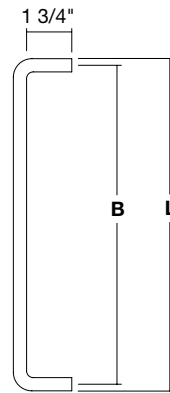
Door handle Thalís ø 1"

Art. No. single handle	Art. No. handle set	L inches	B inches
SN325-25EF	SN325-25EF-B	12 13/16"	11 13/16"
SN625-25EF	SN625-25EF-B	24 5/8"	23 5/8"

stainless steel

- ! Glass drill holes ø 9/16"
- Wood drill holes ø 3/8"

- i Please send us information about the way of mounting and the thickness of door leaf and type of material.

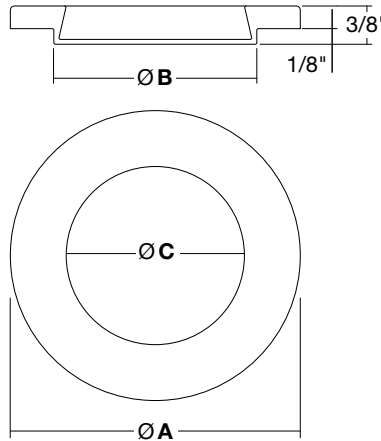


Flush handles

Art. No.	Flush handle I		
	ø A inches	ø C inches	ø B inches
GO70-4EF	2 3/4"	1 5/8"	1 15/16"
GO90-4EF	3 9/16"	2 7/16"	2 11/16"

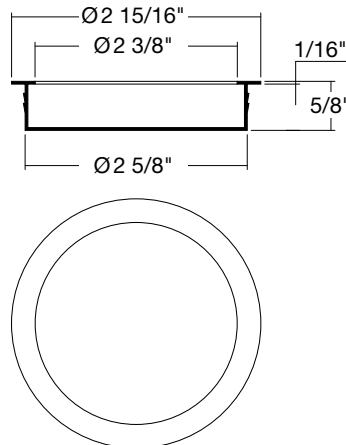
For glass doors, stainless steel, insertion depth 1/8"

- ! Glass drill holes ø 2" and ø 2 3/4"



Art. No. GN75-14EF **Flush handle II**
Specially made for wood doors, stainless steel, ø 2 15/16", insertion depth 9/16", with harpoon stud for pressing into wood

- ! Wood drill holes ø 2 5/8"





NEW
dark bronze surface

Cabinet Pull

Art. No. MV160-20DB
Rectangle 13/16" x 5/16"
stainless steel dark bronze coated,
c/c 6 5/16", length 6 5/8"
projection 1 3/16"



Trolleys

Art. No. USO120DB
USO121DB
Trolley, Flatec I
For glass doors, $d = 5/16" - 1/2"$
For wood doors, $d \leq 1 3/4"$
stainless steel dark bronze coated, height-adjustable approx. 3/8"
for more details see page 19

Art. No. MU138-12DB
Square 1/2" x 1/2"
stainless steel dark bronze coated,
c/c 5 1/16", length 5 7/16"
projection 1 3/16"

Beyerle US L.L.C.

ABP-Beyerle GmbH
Im Schollengarten 24b
D-76646 Bruchsal
Germany
Tel. +49 (0)7257/9127-0
Fax. +49 (0)7257/9127-29
info@abp-beyerle.de
www.abp-beyerle.de

Beyerle US L.L.C.
530 Means Street, Suite 120
Atlanta, GA 30318
Toll-free
Phone (877) 333-2620
Fax (877) 202-2563
info@beyerle-us.com
www.beyerle-us.com