



Thin Design  
Durable Strength



# THIN TERRAZZO TREADS

A New Era in Staircase Design and Installation

# THIN TERRAZZO TREADS

## A New Era in Staircase Design and Installation

Staircases can now boast attractive, sleek treads that offer several design options to the customer. The standard 4 inch thick self-supporting tread has been redesigned to these sleek, thinner dimensions.

Four-foot long tread at 1.5 inches thick

Six-foot long tread at 1.75 inches thick

Eight-foot long tread at 2 inches thick

- Labor savings are significant, as most any contractor or installer can set the treads.
- You'll save money with the elimination of different stair substrates.
- The new treads not only look great, they can color-match with several flooring options to complement any decor.

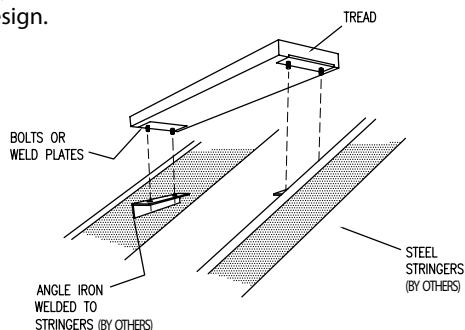
### Technical Information

Ess-30 thin treads can be welded in place or they can be manufactured with imbedded threaded studs for a simple bolt on installation.

This design provides an open thin tread with no need for steel pans or heavy supporting plates. The treads are finished on all visible surfaces.

The precast epoxy terrazzo allows you to match almost any hard surface flooring available.

The tread design can be modified to meet any building code pertaining to an open stair design.



These innovative treads are for interior use only.



WAUSAU TILE

800.388.8728

www.wausautile.com  
wtile@ausautile.com



For more information on this breakthrough tread, please call Wausau Tile's Precast Department at 800.388.8728