



METALwrap

wrap



META



CENTRIA
CENTRIA Architectural Systems

METALwrap



META



METALwrap

wrap



META



METALwrap

INSULATED BACKUP COMPOSITE PANEL

METALWRAP™ PROVIDES SUPERIOR METAL WALL PERFORMANCE

Introducing the latest in metal wall technology. MetalWrap is an alternative thermal, air and moisture backup panel system designed specifically for CENTRIA non-insulated metal wall systems. Continuing the tradition of product advancement CENTRIA is known for, MetalWrap brings unique design, superior energy efficiency and high performance to metal wall backup systems.

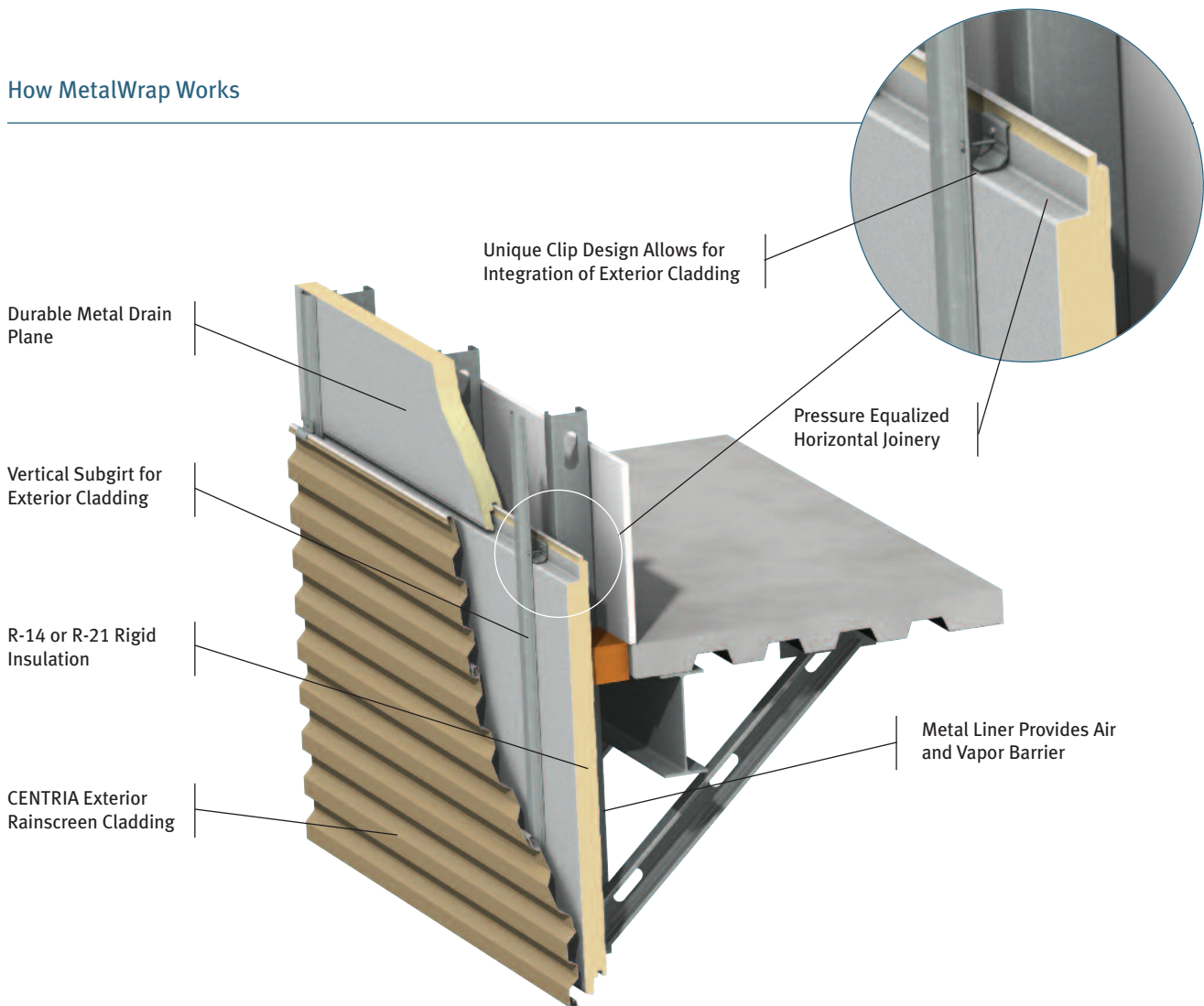


METALwrap

The simplicity of MetalWrap is in its integrated single-panel design. This technology eliminates the need for conventional batt or board installation, exterior gypsum board, air barriers, vapor retarders and building wraps, while providing better thermal efficiency and moisture control for metal walls.

MetalWrap was developed using Advanced Thermal Moisture Protection (ATMP) building envelope science. This exciting new product maximizes a metal wall system's ability to effectively control moisture without sacrificing thermal efficiency. Through extensive research and testing, the energy and cost savings of MetalWrap have made it a choice for architects and contractors across the country.

How MetalWrap Works



METALWRAP PROVIDES SUPERIOR METAL WALL PERFORMANCE

Achieve superior metal wall performance by using a MetalWrap insulated composite backup panel (ICBP). MetalWrap offers a single component insulated composite backup panel that solves the inefficiencies associated with typical multi-component wall systems.

- Single-panel design allows for one-step installation and lower labor costs
- Flexible design allows for application of CENTRIA horizontal and vertical exterior cladding
- Faster close-in and dry-in for reduced building costs
- High R-Values reduce energy costs
- Superior water drain plane
- Excellent moisture, air and thermal barriers
- Unique foam insulated composite backup system
- Minimal construction waste
- Universal backup wall solution for all building types in any climate

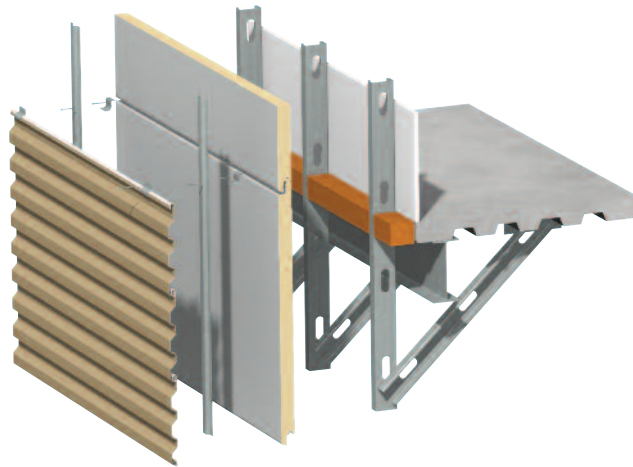
METALWRAP INSULATED COMPOSITE BACKUP SYSTEM (ICBP) VS. TYPICAL MULTI-COMPONENT BACKUP SYSTEM

METALWRAP

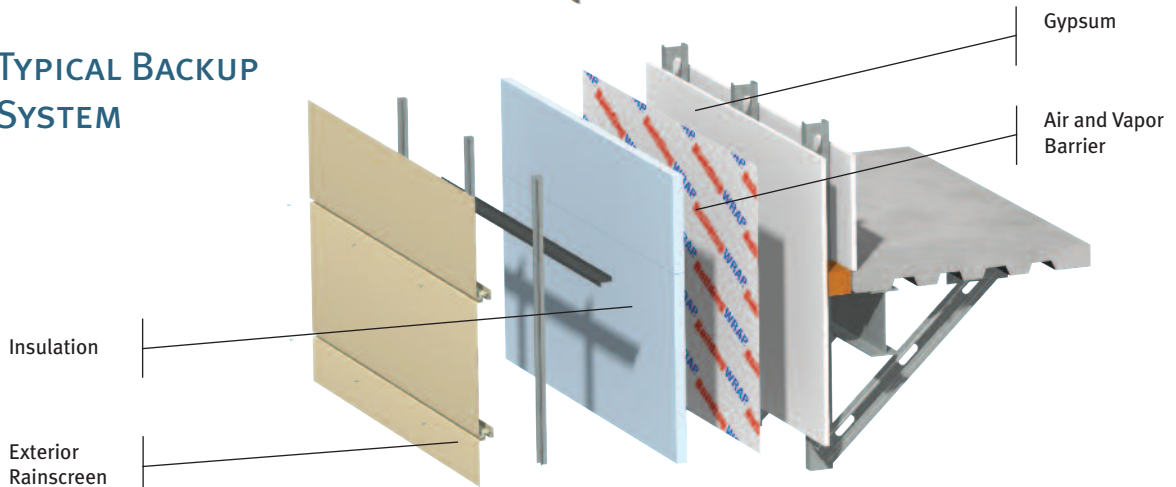
Allows for integration of CENTRIA exterior cladding, simplifies processing and decreases the number of deliveries to the jobsite.

Includes air and vapor barrier, insulation and metal drain plane all in one panel.

Requires only one trip to the wall for installation of the backup system, decreasing labor costs.



TYPICAL BACKUP SYSTEM





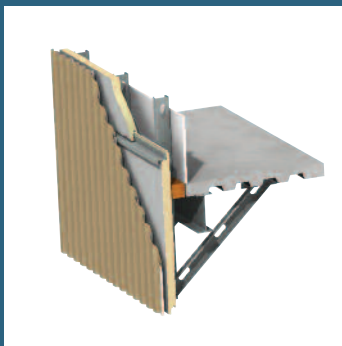
Achieve superior metal wall performance, while saving money and time, with the help of LEED Certified MetalWrap, a high-performance insulated composite backup panel for use with CENTRIA exterior metal wall systems.

**FOR MORE INFORMATION, VISIT
WWW.CENTRIA.COM OR CALL 800.759.7474**

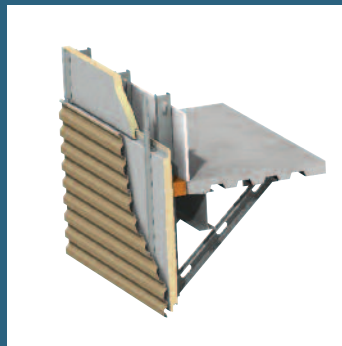
METALWRAP LEED Credit Categories	
Energy & Atmosphere Points	
EA Credit 1: Optimize Energy Performance	1-19 Points
Materials & Resources	
MR Credit 4.1: Recycled Content 10%	1 Point
MR Credit 4.2: Recycled Content 20%	1 Point
Indoor Environmental Quality	
EQ Credit 4.1: Low-Emitting Materials: Adhesives and Sealants	1 Point
EQ Credit 4.2: Low-Emitting Materials: Paints and Coatings	1 Point
Innovation and Design Process*	
ID Credit 1.X: Innovation in Design: Cradle-to-Cradle™ Certification	1 Point

METALWRAP SPECIFICATIONS

Simplify multiple component metal wall systems with the benefit of CENTRIA's unique foam insulated component backup system. MetalWrap is designed for use with either vertical or horizontal exterior cladding and integrates with a variety of CENTRIA products including CENTRIA Architectural Systems Profile Products and FormaBond®.



CENTRIA Vertical
Concept Series® CS-260
over MetalWrap



CENTRIA Horizontal
Concept Series® CS-260
over MetalWrap

SPECIFICATIONS

PRODUCT SPECS

Thickness
2" (51mm) or 3" (76mm)

Thermal
2" (51mm) - R-14
3" (76mm) - R-21

Width
36" (914mm)

Length
12' (3.66m) or 20' (6.09m)
standard lengths

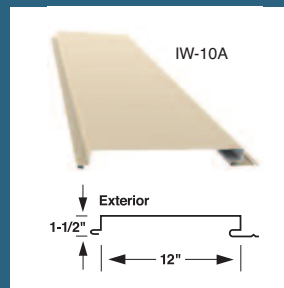
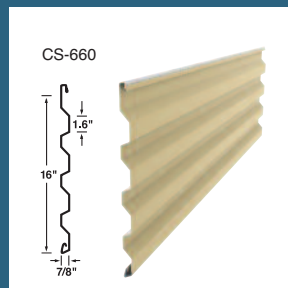
MATERIAL SPECS

Face and Liner
29GA AZ-50 Galvalume Plus

Foam Insulation
Minimum 2.4 PCF Urethane
modified isocyanurate foam

CONCEPT SERIES*

Part of the Profile Series, these single-skin panels combine concealed fasteners with a wide range of profiles.

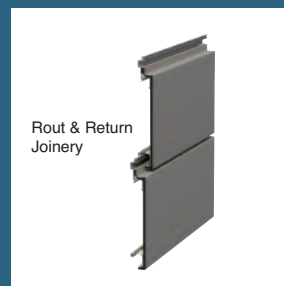
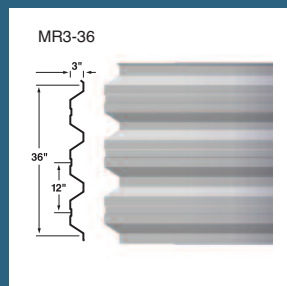


IW SERIES*

Part of the Profile Series, these panels are designed with a lock-joint system which produces a weather resistant wall that has an aesthetically pleasing "monolithic" appearance.

EXPOSED FASTENER*

Part of the Profile Series, these field assembled panels are the most versatile and widely utilized metal panel systems for wall applications. These systems are available in a wide range of designs and colors.

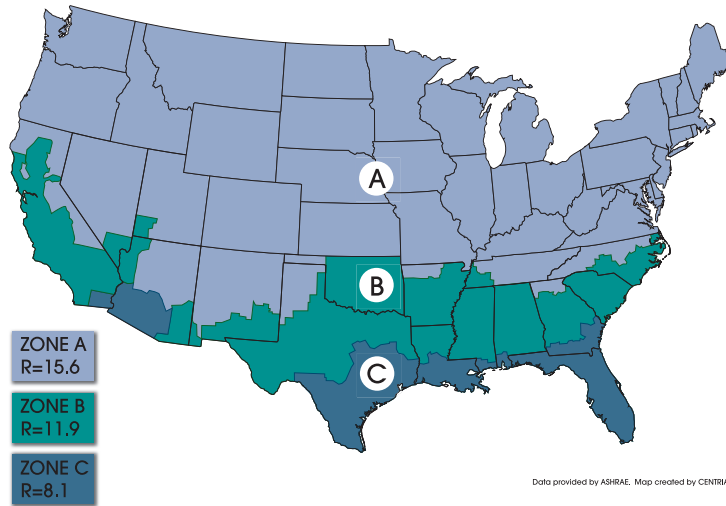


FORMABOND*

FormaBond is the industry's only one-step metal composite panel fabricated system. System provides high-performance weather-tight construction by eliminating unsightly wet seals.

*For additional product options, please visit us at www.CENTRIA.com.

**OPAQUE WALL THERMAL REQUIREMENTS FOR STEEL-FRAMED WALLS
AS STATED IN THE ASHRAE / IESNA STANDARD 90.1 - 2007**



ASHRAE 90.1-2007 requires a significantly higher R value in 75% of the United States than the 2004 standard. This code suggests that new concepts in exterior wall construction, like MetalWrap™ be considered.

System Tests per ASTM C236 for Fiberglass Insulation Metal Studs					
Nominal Framing Depth	Nominal Insulation R-Value	X	Correction Factor	=	Effective R-Value
4" @ 16" O.C.	R-15	X	0.43	=	R-6.4
4" @ 24" O.C.	R-15	X	0.52	=	R-7.8
6" @ 16" O.C.	R-21	X	0.35	=	R-7.4
6" @ 24" O.C.	R-21	X	0.43	=	R-9.0

When insulation is located inside the metal stud cavity as used in some multi-component wall systems, the nominal R value is reduced substantially.

Note: A 6" wall with studs at 16" on center using R-21 insulation inside the metal stud cavity would actually be reduced to an R-7.4. This would not meet the current ASHRAE 90.1 Standard in any climate zone.

A MetalWrap Panel is not subject to any correction factor because the insulation is located on the outside of the stud cavity.



CENTRIA

1005 Beaver Grade Road
Moon Township, PA 15108-2944

For more information, visit www.CENTRIA.com or call 800.759.7474

Reference CAS 1/09 7.5M PG/LGT
Copyright ©2009 CENTRIA

