

HunterDouglasContract

WINDOW COVERINGS

CEILINGS

SOLAR CONTROL



NATURA

Wood Tile Systems



Hunter Douglas Contract
5015 Oakbrook Parkway, Suite 100
Norcross, GA 30093
phone: 800.366.4327
fax: 770.806.0214
www.hunterdouglascontract.com/ceilings

©2007 Hunter Douglas Inc.® is a trademark of Hunter Douglas Inc.

HunterDouglasContract

CEILINGS

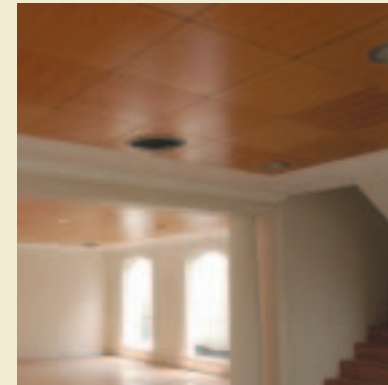
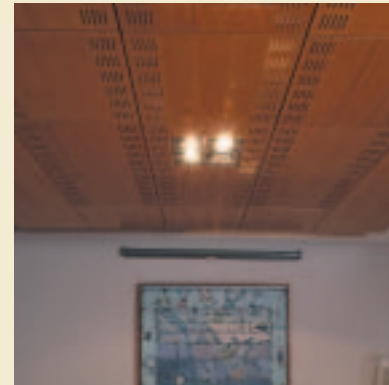


Cover: Hotel Plaza El Bosque (Santiago, Chile)
Architect: Fernandez - Wood Arquitectos

Above: Centro de Justicia (Santiago, Chile)
Architect: Cristian Boza Arquitectos Asociados

Right: Universidad Diego Portales,
Facultad de Arquitectura (Santiago, Chile)
Architect: Ricardo Abuauad A.

Far Right: Club de la Union (Santiago, Chile)
Architect: A4 Arquitectos and Borja Huidobro



PROJECT CONSULTING

Our tradition of supporting architects, designers, developers and installers continues with a wide range of project consulting services. We can assist with design propositions and visualization, installation details, technical advice and the use of materials, shapes and dimensions. For installers, we offer services ranging from detailed installation drawings and instructions to installation training and on-site advice.

Projects above from left to right:
M.A.S. Architects Office (Santiago, Chile)
Medical Center in LaDehesa (Santiago, Chile)
Biblioteca de Santiago (Santiago, Chile)

Learn More

- Call 800-366-4327 to speak with a specialist
- Visit www.hunterdouglascontract.com/ceilings

PRODUCT SPECIFICATIONS

Material	Composite wood core Class A rated – per ASTM E-84 Moisture resistant
Surface Treatment	Sealed and varnished, naturally UV resistant
Surface Finishing	Plain, perforated or grooved
Wood Species	Up to 18 wood species Up to 6 stains

Product Specifications	Traditional (Lay-In)	Classic (Semi-Concealed)	Wall Panels
Suspension System	9/16" T-grid	15/16" T-grid	Track
Demountability	Upward	Lift & Shift	Clip On
Edges	Square	Square	Square
Module Sizes	2' x 2' (610 x 610 mm) 2' x 4' (610 x 1220 mm)	2' x 2' (610 x 610 mm) 2' x 4' (610 x 1220 mm)	1' x 4' (305 x 1220 mm) 1' x 6' (305 x 1829 mm) 1' x 8' (305 x 2438 mm) 2' x 4' (610 x 1220 mm) 2' x 6' (610 x 1829 mm) 2' x 8' (610 x 2438 mm)

QUALITY

We hold ourselves to rigorous quality control standards, ensuring only the highest levels of production, process, materials, machinery and finished product. All our company processes are ISO certified.

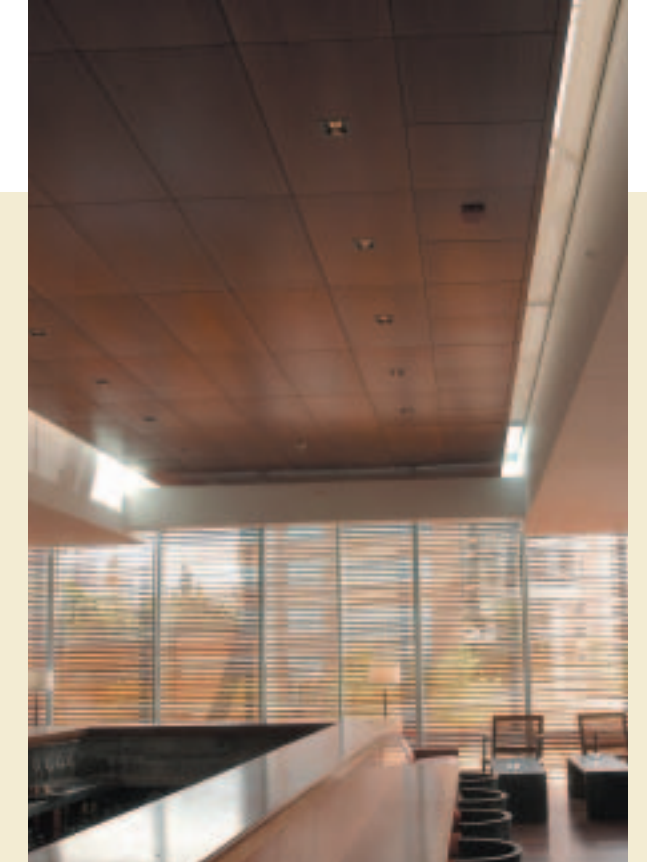
Wood panels are fully recyclable and the packaging is environmentally friendly.



The Warmth of Wood

Natura wood ceiling and wall panels give you a wide selection of beautiful finishes for looks that are as durable as they are distinctive. Versatile suspension systems provide easy plenum access and smooth, consistent reveals. Available in 2' x 2' and 2' x 4' sizes, Natura systems are appropriate for a wide range of projects. Fully coordinated wall panel system allows seamless integration of vertical and horizontal applications.

See the complete range of options and download specifications and drawings at www.hunterdouglascontract.com/ceilings.



ENGINEERED TO PERFORM

Natura systems are appropriate for a wide range of applications, from auditoriums and offices to restaurants and retail spaces. Panels are rated for Class A flame-retardance. Panels finished on both sides to allow two-sided applications and to ease installation.

DESIGN OPTIONS

The Natura line features 18 exceptional wood veneers ranging from maple and cherry to Tropical Raulí and Coigüe. All can be customized with 6 stain options, as well as a selection of acoustical and decorative perforations.

EASY ACCESS

Natura ceilings allow full access to the plenum. Both the Traditional (lay-in) on a 9/16" grid and the Classic (semi-concealed) on a 15/16" grid make it easy to remove and replace panels.

SUSTAINABILITY

Natura panels are constructed on a stable, moisture-resistant composite wood core. A clear coated finish resists UV to prevent fading. Panel composition promotes good indoor air quality. All panels are backed by the service and quality you expect from Hunter Douglas Contract.

WOOD FINISHES

Natura panels feature a versatile range of veneer finishes - each with its own distinct visual effect. From unique, variegated grains such as Chilean Mañío and Coigüe, to traditional grains such as maple and walnut, our selection of domestic and exotic species and stains will help you set the style of any space.

VENEERS



BIRCH #9100



BEECH #9101



MAPLE #9102



TAHUARÍ #9106



CHILEAN MAÑÍO* #9107



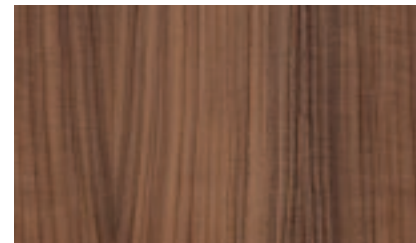
STEAMED BEECH #9108



CEDRO #9112



GOIABAO OSCURO #9113



WALNUT #9114

Samples illustrate typical grain and color characteristics of each wood type. Natural variations in the wood make each veneer and possibly each panel, unique. Note that panels are finished on both sides to ease installation and to support a wider variety of applications. All veneers may be stained or perforated, and all are sealed with a clear, UV-resistant coating.

STAINS



ALBAYALDE #9500



LIGHT OAK #9501



HONEY #9502

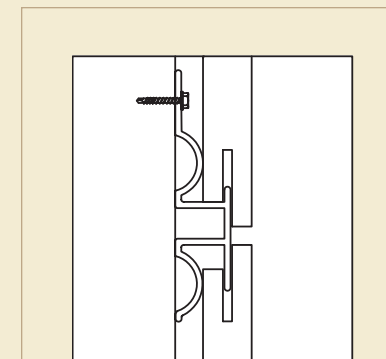
Stains can be applied to all veneers available (eucalyptus is shown). The samples show the general range of colors available, but variations in the density of veneers will affect the final look.

WALL PANELS

Panels clip on to a sturdy surface-mounted track, securing panels vertically and creating a distinctive, smooth wall application. System available in entire range of wood finishes, enabling seamless integration with Natura ceilings.

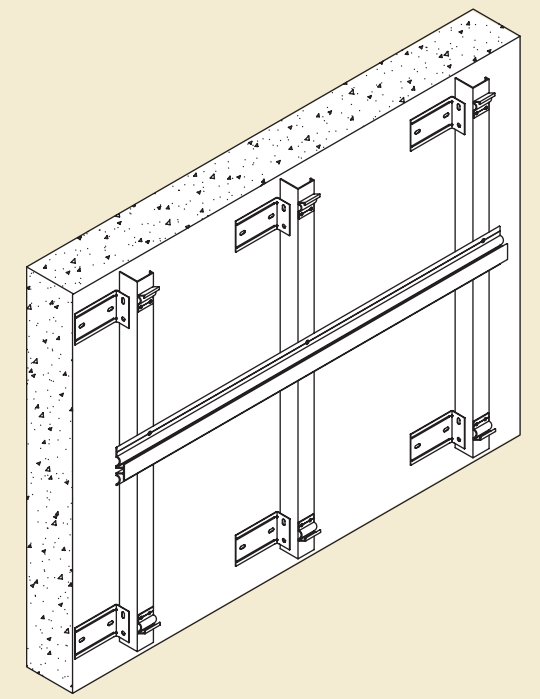
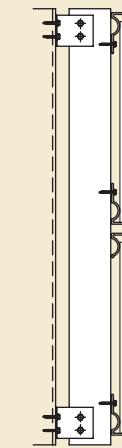



Universidad Diego Portales, Facultad de Arquitectura (Santiago, Chile)
Architect: Ricardo Abuaud A.



1/4" Reveal
Module: 1' x 4' (305 x 1220mm)
1' x 6' (305 x 1829mm)
1' x 8' (305 x 2438mm)
2' x 4' (610 x 1220mm)
2' x 6' (610 x 1829mm)
2' x 8' (610 x 2438mm)

WALL PANEL



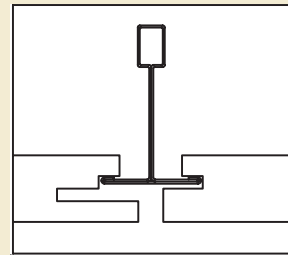
 Hunter Douglas Natura Wooden Ceilings and Wall Panels fabricated with FR composite wood core are Class A fire rated, per ASTM E-84.

CLASSIC (SEMI-CONCEALED) CEILING PANELS

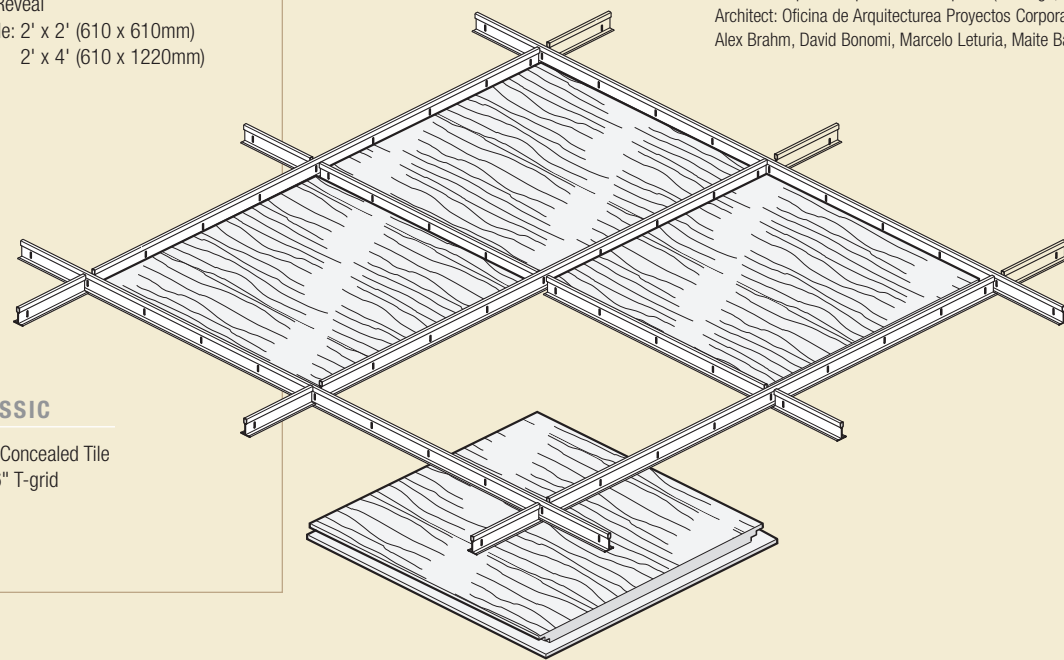
Natura Classic panels provide a more monolithic visual appearance and downward access. The slotted edges partially conceal a standard 15/16" T-grid with a narrow 1/4" reveal.




Edificio Autopista Vespucio Norte Express (Santiago, Chile)
Architect: Oficina de Arquitectura Proyectos Corporativos
Alex Brahm, David Bonomi, Marcelo Leturia, Maite Bartolome



1/4" Reveal
Module: 2' x 2' (610 x 610mm)
2' x 4' (610 x 1220mm)



CLASSIC
Semi-Concealed Tile
15/16" T-grid

 Hunter Douglas Natura Wooden Ceilings and Wall Panels fabricated with FR composite wood core are Class A fire rated, per ASTM E-84.



COIGÜE #9103



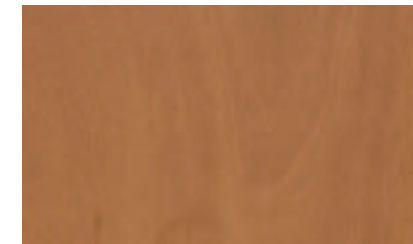
EUCALYPTUS #9104



TROPICAL MAÑÍO* #9105



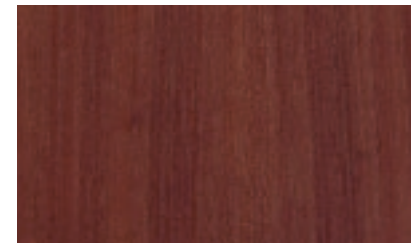
CHERRY #9109



CURUPIXA #9110



TROPICAL RAULÍ #9111



SAPELLI #9115



MAKORE #9116



SUCUPIRA #9117

* Chilean Mañío has natural and random color and grain variations within the same tree. Please note this veneer will vary in color and grain, panel to panel. Tropical Mañío exhibits the same natural variation, but to a lesser degree.



CALIFORNIA OAK #9503

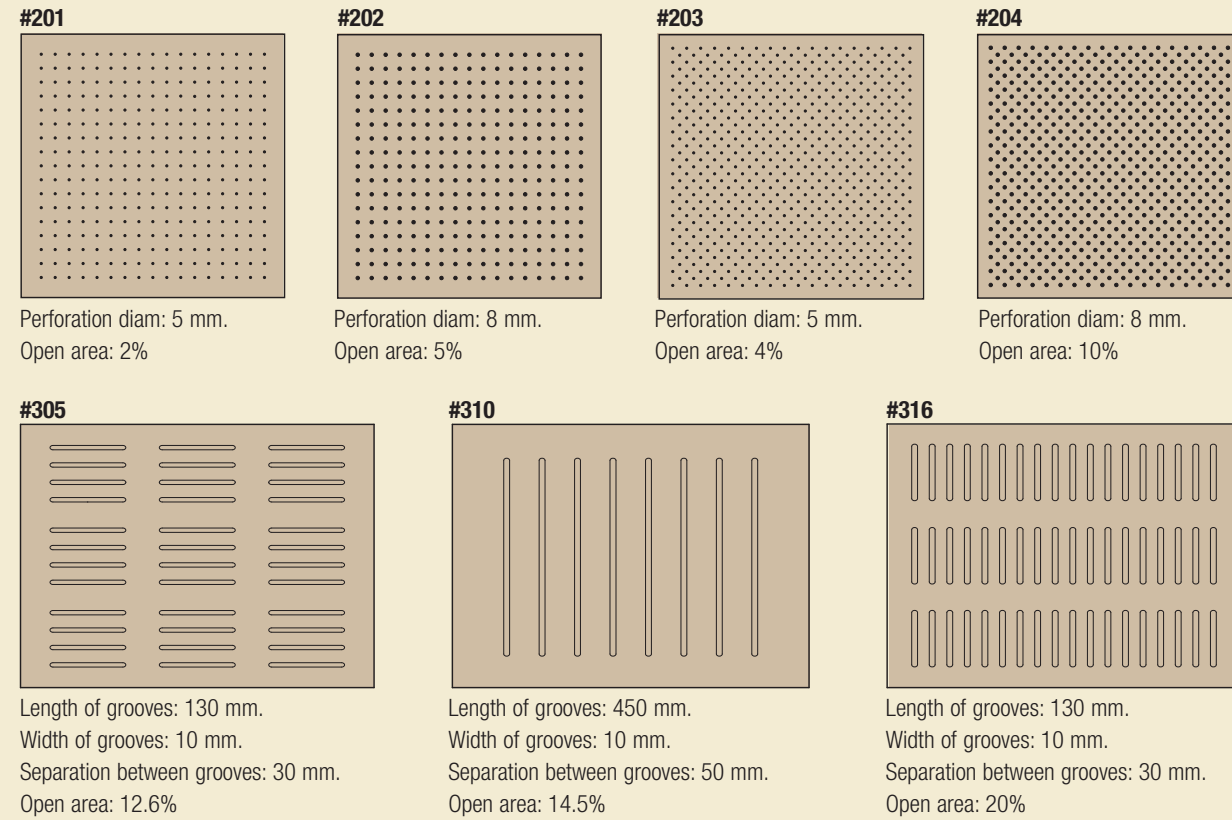


BROWN MOOR #9504



MAHOGANY #9505

PERFORATIONS AND GROOVES



Perforations and grooves are available in a range of sizes and options to create a variety of decorative effects. Options also available for enhanced acoustical performance.

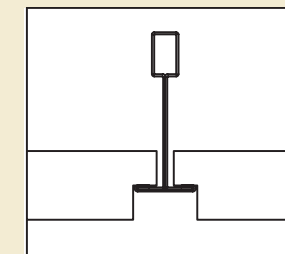


TRADITIONAL (LAY-IN) CEILING PANELS

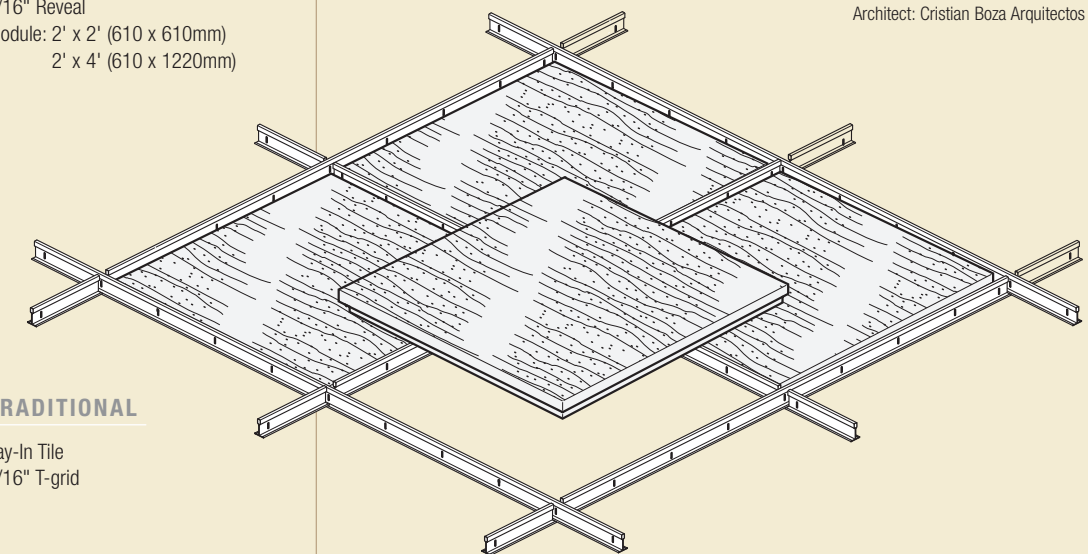
The ease of Natura's Traditional panels lets you add the beauty of real wood to any project. The tegular edges simply lay into a standard 9/16" T-grid for easy installation.




Centro de Justicia (Santiago, Chile)
Architect: Cristian Boza Arquitectos Asociados



9/16" Reveal
Module: 2' x 2' (610 x 610mm)
2' x 4' (610 x 1220mm)



TRADITIONAL
Lay-In Tile
9/16" T-grid

 Hunter Douglas Natura Wooden Ceilings and Wall Panels fabricated with FR composite wood core are Class A fire rated, per ASTM E-84.