

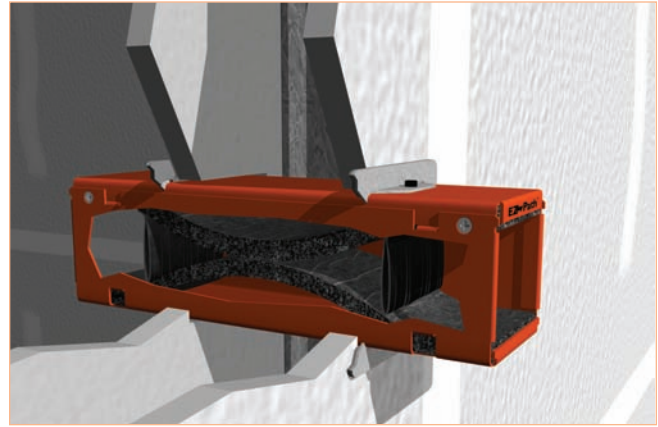


THE EZ-PATH® SYSTEM

The Zero-Maintenance Solution for Firestopping Cables

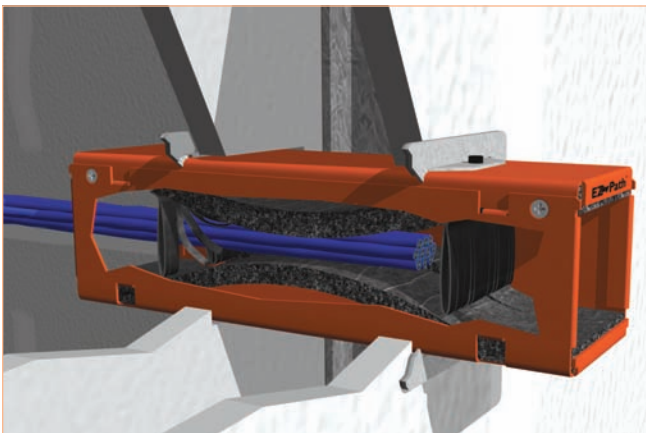
Maximum Fire & Smoke Protection

- Maximum resistance to fire and smoke whether empty or 100% visually filled.
- Assures fire and smoke protection with every new or retrofit cable installation.
- Superior fire and smoke leakage vs. standard sleeve and putty systems.
- Unlike conventional sleeve and putty systems, EZ-Path[®] remains fire and smoke compliant 100% of the time!



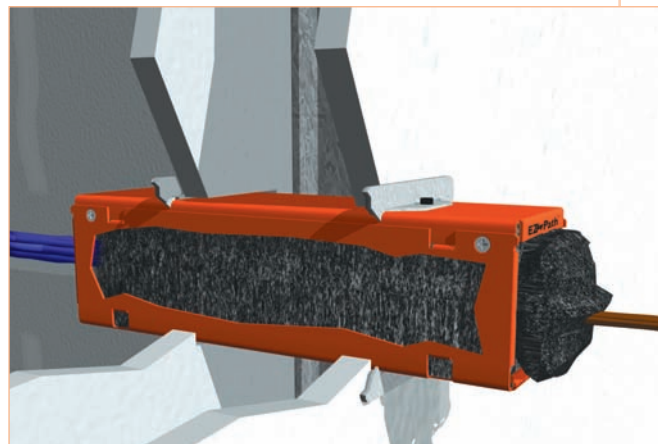
No Firestopping Required

- Built-in firestopping system automatically adjusts to the number of cables installed.
- Design assures it is firestopped at all stages of use.
- Mechanical application eliminates the use of sealant, putty and other products that need to be removed and replaced.



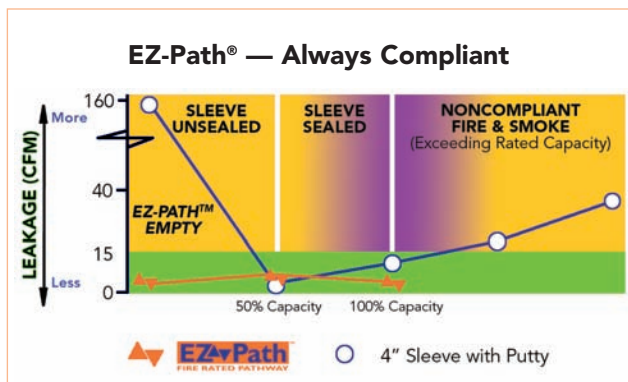
Fast Acting Intumescence

- Engineered for rapid expansion when exposed to fire or high temperatures.
- Intumescent material responds to flames or heat by quickly sealing the pathway and preventing the passage of flames and smoke.
- Innovative built-in firestop design assures it is fire-stopped and smoke-sealed — even at maximum cable loading.



Firestopping Cables

Performance



- UL® Classified and FM Approved in accordance with ASTM E814 (UL1479).
- UL systems are available for up to 4 hour rated floor and wall constructions.
- Empty or full, EZ-Path® is continuously code compliant — 100% of the time.
- Tested and approved cable capacities range from 0 to 100% visual fill.
- U.S. Patent 6,732,481

Specifications

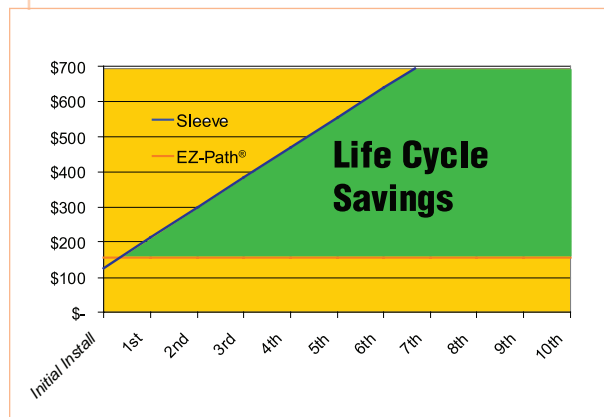
All data, video, and communications cable bundles shall utilize an enclosed fire rated pathway device wherever said cables penetrate rated walls. The fire-rated pathway shall contain a built-in fire sealing system sufficient to maintain the hourly fire rating of the barrier being penetrated. The self-contained sealing system shall automatically adjust to the installed cable loading and shall permit cables to be installed, removed, or retrofitted without the need to adjust, remove or reinstall firestop materials. The pathway shall be UL® Classified and/or FM Systems Approved and tested to the requirements of ASTM E814 (UL1479).

Specified Divisions

DIV. 7	07 84 00	Penetration
Firestopping		
DIV. 26	26 00 00	Electrical
DIV. 27	27 00 00	Communications

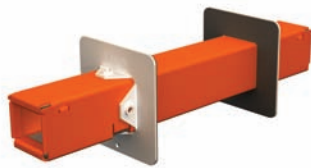


Pays for Itself in a Few Cable Changes



- All-in-one design installs in minutes.
- Conveniently packaged kits for easy installation — no additional parts to order.
- Splits apart for old work.
- Clean, professional, engineered appearance.
- Easy moves, adds and changes.
- Can be installed as the wall is being built.

Choose the Right EZ-PATH® Configuration For Your Cabling Needs!



Series 22



Series 33



Series 44

Height x Width Inches (mm)	1.5" x 1.5" (38 mm x 38 mm)	3.0" x 3.0" (76 mm x 76 mm)	4" x 4-5/8" (102 mm x 118 mm)
Length Inches (mm)	10.5" (267 mm)	10.5" (267 mm)	14" (356 mm)
Volume Expansion	40X	16X	16X
Can be Ganged	--	Up to 7	Up to 5 in walls Up to 16 in floors
Can be Lengthened	--	6" (152 mm) increments	--
Insert into Cored Hole	2" (51 mm)	4" (102 mm)	6" (153 mm)
Attached to Conduit	--	4" (102 mm)	--
Fire Rated in Walls	Up to 4 hours	Up to 4 hours	Up to 4 hours
Fire Rated in Floors	--	Up to 4 hours	Up to 4 hours
Approx. Max Cable Capacity	25 ±	120 ±	244 ±
Approx. Max Cable Capacity (Ganged)	--	840 ±	1,220 ±
Approx. Max Cable Capacity (Grid)	--	--	3,904 ± in floors

Cable capacity estimates are based upon using CAT5. Cable diameters vary widely by manufacturer. Consult STI's cable estimator online for accurate estimates.
www.stifirestop.com/ezpath

Series 22 - Pathway Installation Kit

Series 22 is designed for new or existing cable installations through walls (only) up to 9 in. (230 mm) thick and holds up to 24 CAT 5E cables. Pathway can be mounted as a single unit in either a 2 in. (51 mm) round or a 1.5 in. (38 mm) x 1.5 in. (38 mm) square opening.



◀ Cat. No.
EZD22

This item does not offer wallplates separately.



Series 33 - Pathway

The **Series 33 Pathway** is designed for new or existing cable installations up to 9 in. (229 mm) thick walls or floors. Series 33 pathway holds up to 120 CAT 5E cables and can be ganged for additional capacity. A wide variety of accessories easily adapt 33 Series Pathways to a broad range of applications.



◀ Cat. No.
EZD33FWS

Pathway only

- Available in semi-custom colors.
- Sold as a complete kit or as individual devices.
- Pathway kits include pathway, wall plates, gaskets, labels, required set screws and allen key.
- See installation options (p. 5-8) for available configurations.

Series 33 - Installation Options

A choice of two wall plate designs are available for installing a single Series 33 pathway through finished walls.

Circular Wall Plate Kits allow a single Series 33 Pathway to be installed in a 4 in. (102 mm) round opening or 3 in. (76 mm) x 3 in. (76 mm) square opening.



▲ Cat. No.
EZDP133CWK



▲ Cat. No.
EZP133CW
Without Pathway



Square Wall Plate Kits allow a single Series 33 Pathway to be installed in a 3 in. (76 mm) x 3 in. (76 mm) square opening.



▲ Cat. No.
EZDP33FWS



▲ Cat. No.
EZP133W
Without Pathway



Series 33 - Multiple Pathway Installation Options



Using EZ-Path[®] Multi-Gang plates, Series 33 pathways can be grouped for additional capacity and cable organization.

The **Two Gang Kit** is designed to allow two Series 33 Pathways to be installed in a 3 in. (76 mm) x 6" (152 mm) opening. Installs in finished wall.

▶ Cat. No.
EZDP233GK



◀ Cat. No.
EZP233W
Without Pathway

The **Three Gang Kit** is designed to allow three Series 33 Pathways to be installed in a 3 in. (76 mm) x 9 in. (229 mm) opening. Installs in finished wall.

▶ Cat. No.
EZDP333GK



◀ Cat. No.
EZP333W
Without Pathway

Four Gang Kit is designed to allow four Series 33 Pathways to be installed in a 3 in (76 mm) x 12 in (305 mm) opening. Attachment plates can be fastened to studs spaced 16 in (406 cm) O.C. as the wall is being built or they can be installed in finished walls.

▶ Cat. No.
EZDP433GK*



◀ Cat. No.
EZP433W
Without Pathway

For a price premium, Series 33 Pathways can be ordered in a range of custom colors.

▶ Cat. No.
EZDP433GK-C*



Ordering Details

- Check factory for color availability and lead times.
- Sold with four pathways (ORANGE, BLUE, YELLOW, and WHITE)

and four gang mounting plate pack.

NOTE: Optional mounting screws must be purchased separately.

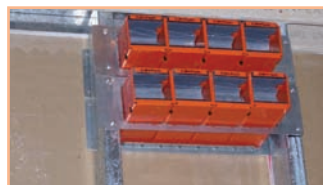
Seven Gang Kit is designed to allow seven Series 33 Pathways to be installed in a 3 in (76 mm) x 21 in (533 mm) opening. Attachment plates can be fastened to studs spaced 24 in (610 mm) O.C. as the wall is being built or they can be installed in finished walls.

▶ Cat. No.
EZDP733GK*



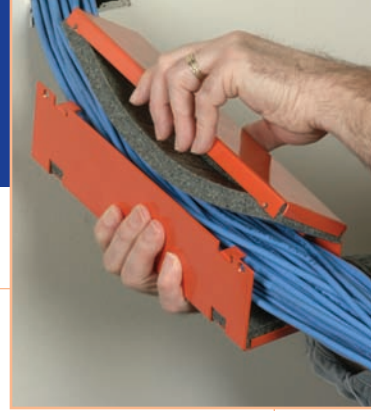
◀ Cat. No.
EZP733W
Without Pathway

*Optional Stud Attachment



These multi-gang kits have optional attachment holes that allow them to be fastened directly to internal wall framing for greater support.

As an option, the wall frames can be attached to the studs and the pathways can be installed as the wall is being built.



Series 33 - Specialty Installation Options

Uniquely engineered attachment plates provide quick and easy mechanical attachment of Series 33 pathways to a variety of common conditions.

New or Existing Cable Installations Through Floors Using Core Drilled Opening



▲ Cat. No.
EZDP133FK

The **Kick-In Floor Kit** installs a Series 33 Pathway into a 4 in. (102 mm) core drilled round opening. Built-in, self-locking fasteners securely wedge the pathway into the concrete. Installation is simple! Insert plate into opening. Insert pathway into plate and tighten set screws. Plate is locked in place! No fasteners and no sealant required!



◀ Cat. No.
EZP133K
Without Pathway

New or Existing Cable Installations in 4" Sleeves or Conduit



▲ Cat. No.
EZDP133CAK

The **Conduit Attachment Kit** installs a Series 33 Pathway within a 4 in. (102 mm) sleeve or conduit. The split plate design allows for installation in both new and existing cabling applications.



◀ Cat. No.
EZP133CA
Without Pathway

Previously Installed Cables Through Walls and Oversized Openings Through Walls



▲ Cat. No.
EZDP33WR

Retrofit/Repair Wall Kit is a multi-purpose split mounting plate designed to facilitate EZ-Path® installations around previously installed cables or in new or existing cabling applications where a large opening or opposing offset openings have been created in either gypsum board or masonry block walls. The assembled two-piece plates measuring 8 in. x 10 in. (203 mm x 254 mm) can be rotated independently of each other in 90° increments to cover irregular or offset openings. Plates are designed to overlap the wall openings on both sides by 1 in. (25 mm) in all directions, permitting fasteners to be attached solidly to undamaged, structurally intact wall surfaces.



◀ Cat. No.
EZP133R
Without Pathway

Series 33 - Accessories



The **Extension Module** attaches to the end of a Series 33 Pathway increasing the effective length for thicker barriers. A single extension can be mounted on one end to increase the pathway length by 6 in. (152 mm). Extensions can be mounted at both ends to increase Pathway length by 12 in. (305 mm). Extensions are designed to work with all other accessories.

- Sold as individual devices.



◀ Cat. No.
EZD33E



Positioning Clamps are used to position and secure pathways in applications where standard wall plates will not be used and the device will be either backfilled or caulked into an opening.

- Sold in pairs.
- Caulk and sealant products sold separately.



◀ Cat. No.
EZP133PC



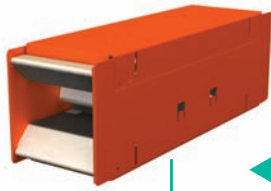
Radius Control Modules (RCM) snap into the ends of pathways and provide a 1 in. (25 mm) minimum bend radius for cables. UL94 V-O flame retardant, impact resistant polycarbonate, RCMs support cable bundles at 100% rated loading. Insertion slots are provided for support ties (not included).

- Sold in pairs.



◀ Cat. No.
RCM33

Series 44 - Pathway



Designed for new or existing cable installations up to 10 in. (250 mm) thick through walls or floors, the **EZ-Path® Series 44** pathway holds up to 240 CAT 5E cables. Pathways can be ganged for additional capacity.

Cat. No.
EZD44
Pathway Only



Series 44 - Pathway Installation Options

Install a Single Series 44 Pathway Through Finished Walls



▶ Cat. No.
EZDP44

Single Wall Plate Kit is designed to allow a single Series 44 Pathway to be installed in a 6 in. (152 mm) round opening or 4-1/8 in. (105 mm) x 4-5/8 in. (118 mm) opening.

▶ Cat. No.
EZP144W
Without Pathway



Install a Single Series 44 Pathway Through Floors



▶ Cat. No.
EZDP144FK

The **Split Floor Plate Kit** is designed to allow a single Series 44 Pathway to be installed in a 6 in. (152 mm) round opening or 4-1/8 in. (105 mm) x 4-5/8 in. (118 mm) opening. Split plate is designed to permit use with previously installed cables.

NOTE: Suitable concrete fasteners must be purchased separately.

▶ Cat. No.
EZP144F
Without Pathway



Multiple or Ganged Pathway Installations

Multi-Gang Wall Brackets are designed to allow 1 to 5 Series 44 Pathways to be installed in finished walls or as the wall is being built. Plates attach directly to studs and pathways are installed prior to application of gypsum board. Brackets are suitable for attachment to studs spaced up to 24 in. (610 mm).

Ordering Details

- Plate packs include plates, gaskets, set screws and labels.
- Purchase Pathways (EZD44) and appropriate fasteners separately.

▶ Cat. No.
EZP544W



Series 44-Pathway Installation Options

Modular Floor Grid System

An EZ-Path® Solution for High Volume Cable Penetrations through Floors

Now there is a bolt-in solution for riser applications that brings the safety and simplicity of EZ-Path® to your vertical cable installations.

The EZ-Path Modular Floor Grid System can handle literally *thousands* of cables.

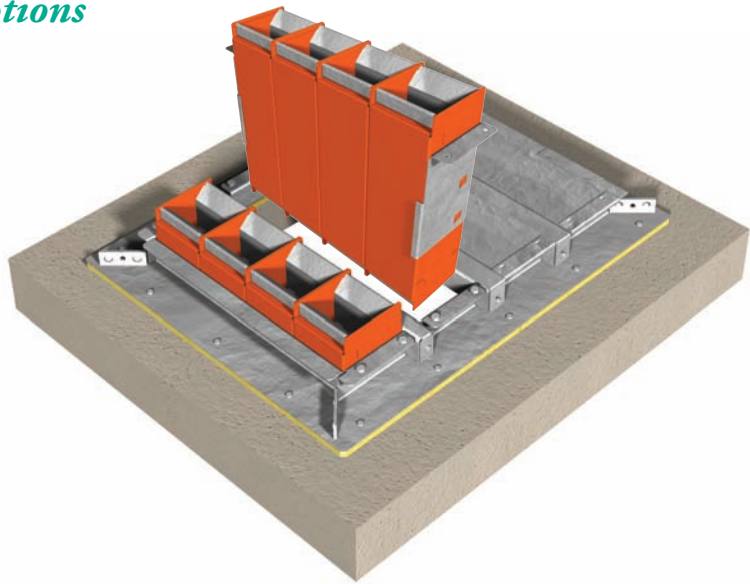
Modular Floor Grid Systems utilize the high volume, EZ-Path 44 Series Pathways installed in banks of four to provide your

cabling systems with room to grow.

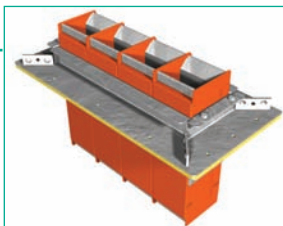
Sturdy steel grids mount one, two or four banks of pathways in built-in slots

for a total of up to sixteen pathways through a single floor opening.

A single bank Floor Grid comes complete with Pathways. Multi-bank Modular Floor Grids are installed with firestop panels sealing each slot. As additional cable capacity is required, firestop panels are removed and pathway modules containing four pathways are installed in each slot.



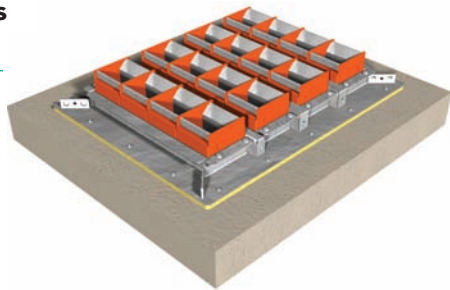
Single Slot Grid



◀ Cat. No.
EZDG444

Capacity: 4 Pathways
Sold complete with grid and pathways.

Multi-Slot Grids

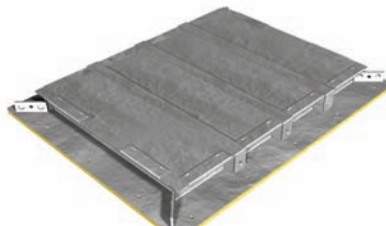


▼ Cat. No.
EZG844



Capacity: 8 Pathways
Two (2) EZD444MB

▼ Cat. No.
EZG1644



Capacity: 16 Pathways
Four (4) EZD444MB

Floor Frame Only.

Firestop panels included to seal unused slots.
Pathway modules ordered separately, shown at right.

Pathway Module

▼ Cat. No.
EZD444MB



Includes
4 Pathways
&
Hanger Brackets
(For use in EZG844 and EZG1644)

Ordering Information

UPC 730573-	CATALOG NUMBER	DESCRIPTION	MIN. QTY/ CASE QTY.
Series 22 EZ-Path® Fire-Rated Pathway Kits*			
00022	EZD22	Series 22 - Fire-Rated Pathway Kit	6
Series 33 EZ-Path® Fire-Rated Pathway, Kits, Accessories and Plate Packs*			
00004	EZD33FWS	Series 33 - Fire-Rated Pathway Device	6
00034	EZDP33FWS	Series 33 - Square Kit - Device with square wall plate pack	4
00035	EZDP133CWK	Series 33 - Circular Kit - Device with circular wall plate pack	1
00005	EZD33E	Series 33 - Extension Module	1
00533	EZDP33WR	Series 33 - Retro-Fit Kit - Device with retro-fit wall plate pack	1
00835	EZDP133FK	Series 33 - Kick in Kit - Device with kick-in plate pack	1
00235	EZDP233GK	Series 33 - Two-Gang Kit - Two (2) Devices with two-gang plate pack	1
00335	EZDP333GK	Series 33 - Three-Gang Kit - Three (3) Devices with three-gang plate pack	1
00435	EZDP433GK	Series 33 - Four-Gang Kit - Four (4) Devices with four-gang plate pack	1
00436	EZDP433GK-C	Series 33 - Color Coded Four-Gang Kit Four (4) Devices (1-orange, 1-blue, 1-yellow, 1-white) with four-gang plate pack	1
00735	EZDP733GK	Series 33 - Seven-Gang Kit - Seven (7) Devices with seven-gang plate pack	1
00036	EZDP133CAK	Series 33 - Conduit Attachment Kit-Device with conduit attachment plate pack	1
00137	EZP133CW	Series 33 - Circular Wall Plate Pack	1
00133	EZP133W	Series 33 - Single Square Wall Plate Pack	1
00233	EZP233W	Series 33 - Double Wall Plate Pack	1
00333	EZP333W	Series 33 - Triple Wall Plate Pack	1
00433	EZP433W	Series 33 - Four-Gang Plate Pack	1
00733	EZP733W	Series 33 - Seven-Gang Plate Pack	1
00135	EZP133PC	Series 33 - One Pair (2) Positioning Clamps	1
00833	EZP133K	Series 33 - Single Kick-In Plate Pack - (For use with floor applications)	6
00535	EZP133R	Series 33 - Retro-Fit Mounting Plate Pack	1
00138	EZP133CA	Series 33 - Conduit Attachment Plate Pack	1
00933	RCM33	Series 33 - One Pair (2) Radius Control Modules	1
Series 44 EZ-Path® Fire-Rated Pathway, Kits, Grid Assemblies, and Plate Packs*			
00007	EZD44	Series 44 - Fire-Rated Pathway Device	4
00044	EZDP44	Series 44 - Fire-Rated Pathway Kit - Device with single wall plate pack	1
00045	EZDP144FK	Series 44 - Floor Kit - Device with floor plate pack	1
00444	EZDG444	Series 44 - Single Bank Floor Grid - Four (4) Devices with floor frame	1
00048	EZD444MB	Series 44 - Single Bank of Devices - Four (4) Devices with hanger bracket	1
00845	EZDG844	Series 44 - Multi-slot Frame Kit for 8 Pathways - (Includes eight (8) Series 44 devices with EZG844)	1
00645	EZDG1644	Series 44 - Multi-slot Frame Kit for 16 Pathways - (Includes sixteen (16) Series 44 devices with EZG1644)	1
00144	EZP144W	Series 44 - Single Wall Plate Pack	1
00544	EZP544W	Series 44 - Multi-Gang Wall Plate Pack	1
00834	EZP144F	Series 44 - Split Floor Plate Pack	1
00844	EZG844	Series 44 - Multi-Slot Frame for Eight (8) Pathways	1
00644	EZG1644	Series 44 - Multi-Slot Frame for Sixteen (16) Pathways	1



22, 33, and 44 Series EZPATH® Fire Rated Pathways



All pathway kits are conveniently packaged with plates, gaskets and labels for installation!

*All Kits include appropriate quantity of pathways, wall plates, gaskets, labels, required set screws and an allen key.

**All plate packs include wall plates, gaskets, labels, required set screws and an allen key.

Visit us on the web - www.stifirestop.com



200 Evans Way | Somerville, NJ 08876 USA
Toll Free: 800-992-1180 | Fax: (908) 526-9623
E-mail: sales@stifirestop.com
www.stifirestop.com